

# Centralized Controller

**Model: AG-150A**

*Instruction Book*

*(Web browser for Initial Settings)*

## Contents

1 Introduction .....	1
1-1 Conventions Used in This Manual.....	1
1-2 Computer Requirements .....	1
1-3 Notes on using AG-150A with the integrated centralized control software (TG-2000A).....	1
2 Setting the Operating Environment.....	2
2-1 Setting the PC IP Address.....	2
2-2 Setting the Web Browser.....	4
3 Performing Operations .....	6
3-1 Logging in on the AG-150A .....	6
4 Initial Settings.....	9
4-1 Setting the Current Date and Time.....	9
4-2 Setting the Basic Information and External Input Functions .	10
4-3 Group Setting .....	16
4-4 Interlocked Setting.....	18
4-5 Block Setting.....	19
5 Functions 1.....	20
5-1 Error mail reports/E-mail communication .....	20
5-2 Energy-Save Control and Peak Cut Control .....	23
5-3 Settings for measurement .....	28
6 Functions 2.....	32
6-1 Limiting the Set Temperature Operating Range .....	32
6-2 Night Mode Schedule .....	33
6-3 System-Changeover of Y series.....	34
7 Functions 3.....	35
7-1 External Temperature Interlock .....	35
7-2 Night setback control .....	36
8 User Setting .....	37
9 Registering a License for Optional Function .....	39

# 1 Introduction

A special feature of Mitsubishi Electric Corporation's "Centralized Controller AG-150A" is that a PC connected to a LAN can be used to monitor the operation condition of air conditioners, perform air conditioner operations, and make initial settings.

This document explains the procedures for making initial settings for the Centralized Controller AG-150A using the web browser.

Hereinafter, the centralized controller AG-150A, unless otherwise specified, will be called "AG-150A".

Note: License of "Web Monitor" or "Basic License Pack" is necessary to use the web browser and update program. Register the license key on the AG-150A LCD screen.

A one-day license key can be registered on the LCD screen that allows the user to use the "Web Monitor" only on the day of the registration. Use this license key to update the program or to use the initial setting browser, or in any other situations when a temporary license key is necessary.

Note: Use a security device such as a VPN router when connecting the AG-150A to the Internet to prevent unauthorized access.

Note: "Air to water booster unit" and "Air to water HEX unit" are referred to as "Hot water supply".

## 1-1 Conventions Used in This Manual

- "Click" refers to the action of positioning the mouse cursor on the object (such as button or folder) and pressing down and releasing the left mouse button once.
- Unless otherwise specified, the example screen images used in this manual are Windows XP® and Internet Explorer 6.0 screen images.

Note: Windows is a registered trademark or trademark of Microsoft Corporation USA in the United States and other countries.

- The K transmission converter (PAC-SC25KAA) and OA processing unit (LOSSNAY) are not included in systems shipped to North America (USA & Canada).

## 1-2 Computer Requirements

In order to monitor and operate air conditioners by web browser, your computer must meet the following requirements.

Table 1-1 Computer Requirements

Item	Requirement
CPU	Pentium 300MHz or faster
Memory	64M Bytes or more (128M Bytes or more recommended)
Screen resolution	1024 x 768 or higher recommended
Compatible browser	Microsoft® Internet Explorer 6.0 or later Note: You must have a Java execution environment (Sun Microsystems Java Plug-in Ver.1.6.0 or later). Note: You can check the Sun Microsystems Java Plug-in version in "Java" in a control panel.
On-board LAN port or LAN card	One connector (100BASE-T)
Other	Pointing device such as a mouse

Note: Microsoft is a registered trademark or trademark of Microsoft Corporation USA in the United States and other countries.

## 1-3 Notes on using AG-150A with the integrated centralized control software (TG-2000A)

If the system is connected to the integrated centralized control software (referred to as TG-2000A hereafter), make all settings and changes from the TG-2000A so that the data in TG-2000A and AG-150A will match.

## 2 Setting the Operating Environment

Given below is an explanation of the PC settings and web browser settings that are required for using a web browser to monitor air conditioner units and perform operations.

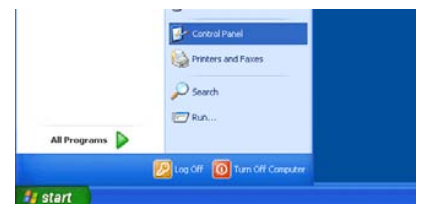
### 2-1 Setting the PC IP Address

You need to set an IP address on the PC that will enable you to connect to the AG-150A using a web browser. For instance, if the AG-150A IP address is [192.168.1.1], the PC IP address will need to belong to the same system (for example [192.168.1.101]).

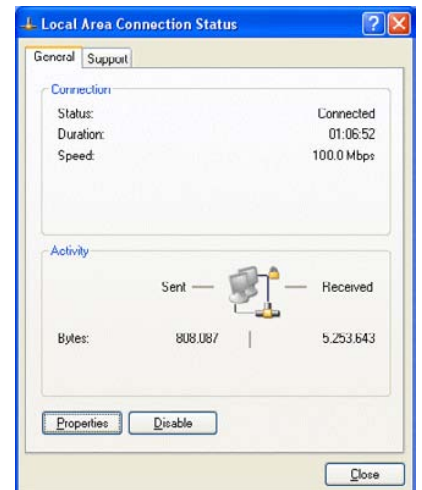
If the AG-150A is connected to an existing LAN, ask the LAN administrator to decide what PC IP address to use.

Note: When using a AG-150A dedicated LAN, we recommend the AG-150A main unit be given an IP address within the range [192.168.1.1] - [192.168.1.40] and the PCs that will be connected to the AG-150A be given an IP address within the range [192.168.1.101] - [192.168.1.150]

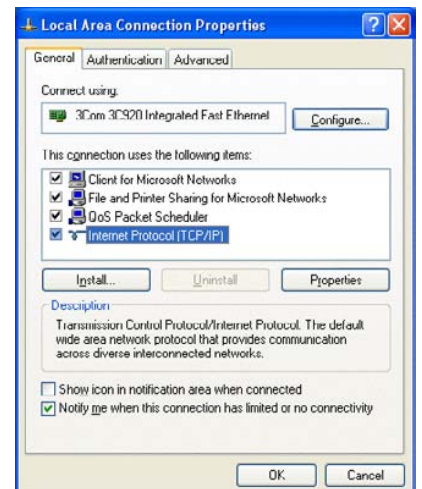
(1) Click on [Control Panel] under [Start] to open the Control Panel.



(2) In the Control Panel window, double click [Network and Dial-up Connections] and the Network and Dial-up Connections window will open. Double click on [Local Area Setting] and the [Local Area Connection Status] dialog will open. Click [Properties].



(3) In the [Local Area Connection Properties] dialog, click [Internet Protocol] to select it and click the [Properties] button.

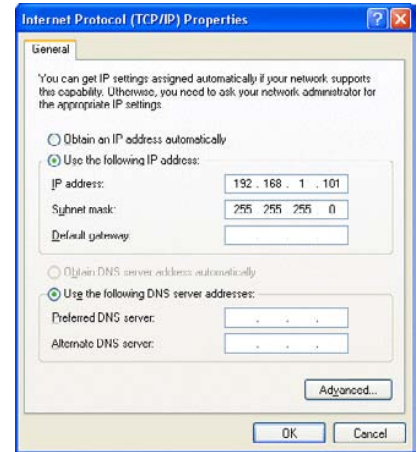


(4) In the [Internet Protocol (TCP/IP) Properties] dialog, click [Use the following IP address] and enter the IP address (for example, “192.168.1.101”) that you want to set in the IP address field.

You normally set [255.255.255.0] as the subnet mask.

Note: Ask your LAN administrator to provide the IP addresses and subnet mask.

(5) Click the [OK] button to close this dialog, and then close the other open dialogs to complete the network setting.



## 2-2 Setting the Web Browser

Perform the necessary web browser settings to enable the web browser to connect to the AG-150A.

Note: The settings and screen images used as examples in this manual are based on Internet Explorer 6.0.

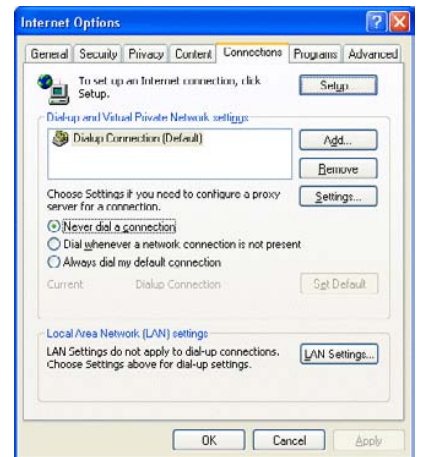
### 2-2-1 Not connecting to the Internet

If the PC you use for monitoring air conditioners and performing operations is not going to be connected to the Internet, use the procedure given below to set the web browser environment settings.

(1) Click the web browser menu item [Tools] and then click [Internet Options...]



(2) In the [Internet Options] tabbed dialog, click the [Connections] tab to display that page.



(3) Select [Never dial a connection] in the Dial-up settings section and click the [OK] button to close the dialog.

### 2-2-2 Connecting to the Internet using a dial-up connection

If the PC you use for monitoring air conditioners and performing operations is going to connect to the Internet via a dial-up connection, use the procedure given below to set the web browser environment settings.

By performing these settings, a message will appear asking whether or not to use a dial-up connection when an Internet connection is necessary. In the case when you want to connect to the Internet, connect to the Internet by following the directions of this message.

(1) Click the web browser menu item [Tools] and then click [Internet Options...]



(2) In the [Internet Options] tabbed dialog, click the [Connections] tab to display that page.



(3) Select [Dial whenever a network connection is not present] in the Dial-up settings section and click the [OK] button to close the dialog.

## 2-2-3 Connecting to the Internet using a proxy server (Using an existing LAN)

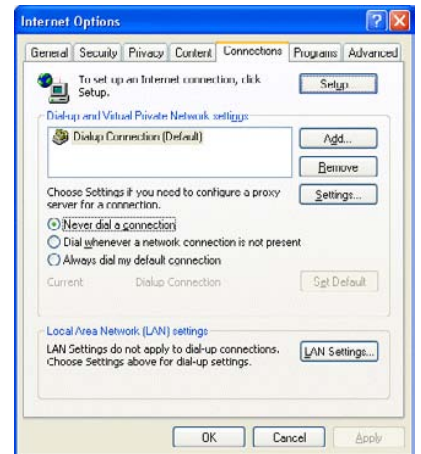
If the PC you use for monitoring air conditioners and performing operations is going to access the Internet via proxy server by connecting to an existing LAN such as a LAN within your company, use the procedure given below to set the web browser environment settings.

By performing these settings, your PC will connect to a proxy server only when connecting to the Internet.

- (1) Click the web browser menu item [Tools] and then click [Internet Options...]



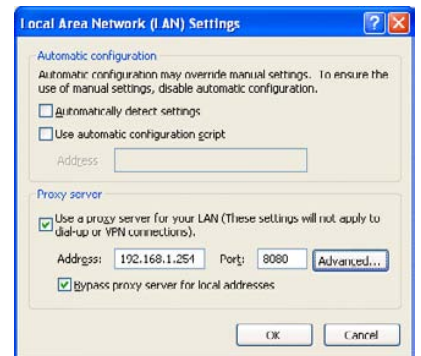
- (2) In the [Internet Options] tabbed dialog, click the [Connections] tab to display that page.



- (3) Select [Never dial a connection] in the Dial-up setting section.

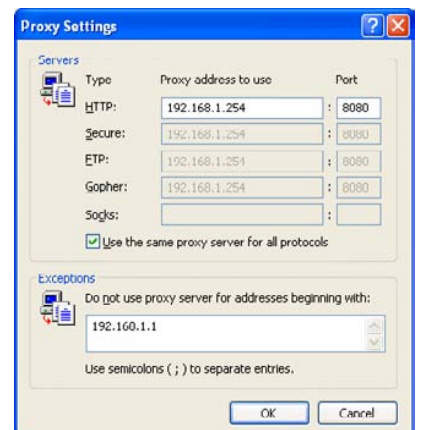
- (4) Click the [LAN Setting . . .] button in the Local Area Network (LAN) settings section to display the Local Area Network (LAN) Settings dialog.

- (5) In the Local Area Network (LAN) Settings dialog, check [Bypass proxy server for local addresses] and click the [Advanced...] button.



- (6) Enter the IP address for the AG-150A (e.g. 192.168.1.1) in the Exceptions field of the Proxy Setting dialog and click the [OK] button to close the dialog and then close the other open dialogs to complete the setting.

Note: If connecting to more than one AG-150A, you can specify multiple IP addresses like [192.168.1.1; 192.168.1.2], however, it is also possible to use the asterisk (\*) and specify [192.168.1\*].



# 3 Performing Operations

Given below is an explanation of how to connect to the AG-150A and how to make various settings for the AG-150A.

Note: If the AG-150A is restarted due to circumstances like a power interruption, wait until the screen on the AG-150A main unit displays the normal operation screen (it takes several minutes before the normal operation screen is displayed) before using a web browser to access the AG-150A. If access is attempted while the AG-150A is still starting up, the most recent data might not be displayed or communication errors could occur.

Note: Default IP address of AG-150A is "192.168.1.1". (Factory setting)

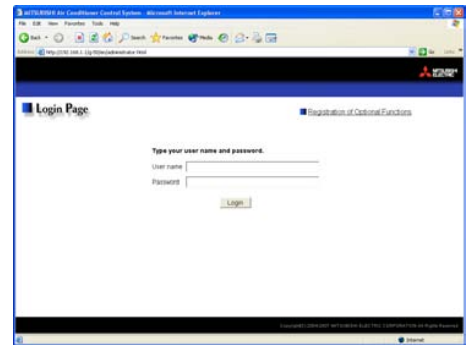
## 3-1 Logging in on the AG-150A

### 3-1-1 Logging in on the AG-150A

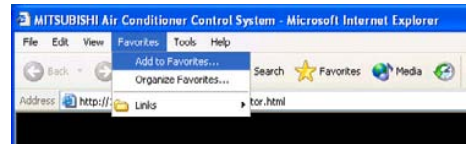
- (1) Enter the web page address in the address field of the web browser as follows and press the [Enter] key on the keyboard. A screen appears for login.

**http:// [IP address of the AG-150A]/g-50  
/administrator.html**

Note: For example, type "http://192.168.1.1/g-50/administrator.html" if the AG-150A IP address is [192.168.1.1].



- (2) To make it easier to connect the next time, click the web browser menu item [Favorites] and click [Add to Favorites] to select that option and add the address to your Favorites folder. Once this address is added to your Favorites folder, it is not necessary to input the address of (1). You can simply select it from your Favorites folder and the AG-150A page will appear.



- (3) Enter the user name and the password in the login screen, and click the [Login] button. A screen will appear in which various setting are made. Procedures for making proper settings on each screen will be explained in the following pages.

The table below shows the default user names and passwords for maintenance users and building managers as well as available functions.

User	Default user name	Default password	Available functions	
Maintenance user	initial	init	Initial settings	Date and Time, Basic System, Groups, Interlocked LOSSNAY, Blocks
			Functions 1	E-Mail, Peak cut, Measurement
			Functions 2	Set Temperature Range Limit, Night Mode Schedule, System-changeover
			User Settings	User Settings
Building manager	administrator	admin	Out of the functions listed above, the items to which access rights have been given on the user settings screen are available.	

Note: The user name and the password for building manager are the same as those of the building manager of the Web for monitoring/operation.

Note: Maintenance users can make available to the administrator only the information necessary for normal operations (group name setting etc.)

Note: It is recommended to change the user name and password not to allow users other than the building manager to change the settings.

Note: The Web page is displayed in the same language as the computer uses and it is also possible to display the Web page in other languages by entering the following Web page addresses.

- English :Http://[The IP address of AG-150A]/g-50/en/administrator.html
- German :Http://[The IP address of AG-150A]/g-50/de/administrator.html
- French :Http://[The IP address of AG-150A]/g-50/fr/administrator.html
- Spanish :Http://[The IP address of AG-150A]/g-50/es/administrator.html
- Italian :Http://[The IP address of AG-150A]/g-50/it/administrator.html
- Russian :Http://[The IP address of AG-150A]/g-50/ru/administrator.html
- Chinese :Http://[The IP address of AG-150A]/g-50/zh/administrator.html
- Japanese :Http://[The IP address of AG-150A]/g-50/ja/administrator.html

### 3-1-2 Encrypting the communication data and login on the AG-150A

AG-150A can encrypt communication data using HTTPS (SSL).

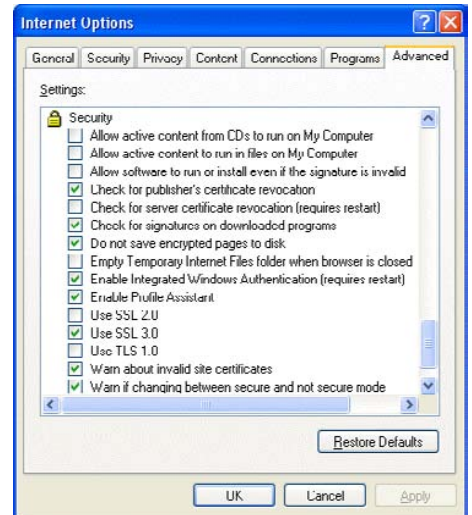
When connecting the AG-150A to the LAN that can be accessed by the general public, it is recommended that the following settings be made so that the units are monitored and controlled on the encrypted Web page.

Note: Depending on the operating system or the version of Java, HTTPS encrypted messages may not be handled correctly. If this happens, use a HTTP connection to monitor and control the units as noted in the section above.

- (1) Go to [Tools]->[Internet Options]->[Advanced], and make the following settings.

Item	Checkbox setting
Use SSL 2.0	Uncheck the box.
Use SSL 3.0	Check the box.
Use TLS 1.0	Uncheck the box.
Do not save encrypted pages to disk	Check the box.

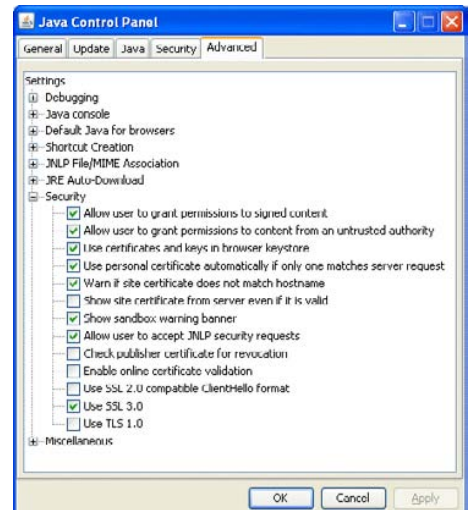
Note: Some of the settings may have different names depending on the Web browser version.



- (2) Click on [Java] in the Control Panel, and make the settings for the items under [Security] in the [Advanced] tab.

Item	Checkbox setting
Use SSL 2.0 compatible Client Hello format	Uncheck the box.
Use SSL 3.0	Check the box.
Use TLS 1.0	Uncheck the box.

Note: Some of the settings may have different names depending on the Java version.

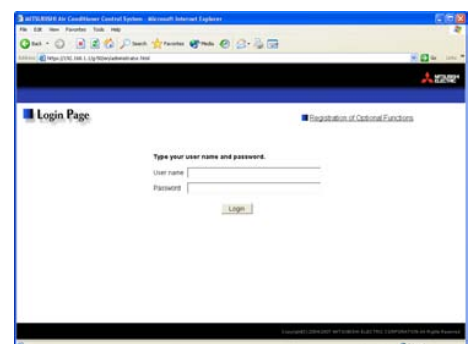


- (3) Prefix the Web address with [https], enter the address, and hit the [Enter] (Return) key on the keyboard.

**https://[ IP Address of the AG-150A]/g-50  
/administrator.html**

Note: For example, type "https://192.168.1.1/g-50/administrator.html" if the AG-150A IP address is [192.168.1.1].

If the security alert is disabled as described in the note in the following and the subsequent sections, encrypted data communication will begin, and the Login screen will appear. If the security alert has not been disabled, take the following procedures.





- (4) If the security alert has not been disabled, after entering the web address and hitting the Enter (Return) key, a security alert message will alert asking if you want to proceed . This is because the AG-150A uses the self-authentication system. Click [Yes] and proceed.

Note: Disable the security alert that appears every time the browser is opened, take the following two steps:

- 1) Register the security certificate and
- 2) Change the Web browser's option settings

To register the security certificate, click the [View Certificate] button on the security alert window to display the certificate, click on the [Install Certificate] button, and add the certificate to the Trusted Root Certification Authorities store. Just follow the prompts of the Import Wizard.

Go to [Tools]->[Internet Options]->[Advanced], and make the following settings for the Web browser.

Item	Checkbox setting
Warn about invalid site certificates	Uncheck the box.



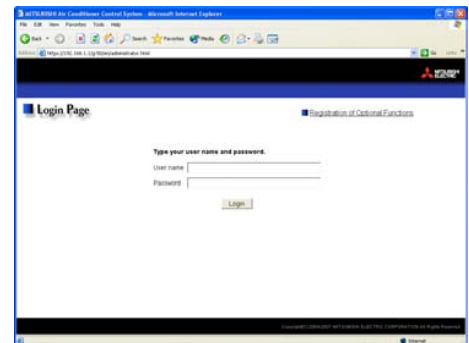
- (5) A Java security alert message will appear after you click [Yes] in step (4) above, click [Yes] again to proceed.

Note: To disable the security alert message that appears every time the browser is opened, check the check box next to [Always trust content from this publisher], and click [Yes]. The browser may need to be restarted to reflect the change.

Note: If the window shown on the right does not appear and connection fails, the certificate needs to be added to the Java certificate list. Click the [View Certificate] button on the screen in step (4) to display the certificate, click on the [Copy to File] on the [Details] page, and save the certificate in any desired location in the DER format. Open [Java] in the Control Panel, click on the [Certificates] button on the [Security] page to bring up the certificate registration screen. On the screen, select [Secure Site], click on the [Import] button, change the File of type to [All Files], and select the saved certificate. Now the certificate has been added to the Java certificate list.



- (6) If a connection is successfully made, the login window will appear. All communication with the AG-150A will be encrypted. The Web addresses for general users and in each language will have the web address in the previous section with "http" changed to "https".



# 4 Initial Settings

## 4-1 Setting the Current Date and Time

Click [Initial Settings] in the menu, and [Date and Time] screen will appear on the screen. Enter the current date and time, and then press the [Save Settings] button to send the current date and time to AG-150A.

Note: If the user logs in as a building manager, the operations may be prohibited.

Note: If the system is connected to the TG-2000A, make all settings and changes from the TG-2000A so that the data in TG-2000A and AG-150A will match.

Note: When the time setting is made on this screen, the setting will be applied to all the units on M-NET system.

Note: When the DIDO controller (PAC-YG66DCA), AI Controller (PAC-YG63MCA), or PI Controller (PAC-YG60MCA) is newly connected, make the time setting of the connected controller on this screen.

**Current date/time**  
Enter the current date and time here.

**Summer time setting**  
Click to set the daylight saving time.

**Refresh**  
Acquires the current Date and Time from AG-150A.

**Save settings**  
Click to set the current date and time.

Item	Description
Current date/time	Enter the current date and time. For the date, use the format [day - month - year].
Save Settings	Click the [Date/Time Set] button to set the current date and time.
Refresh	Acquires the current Date and Time from AG-150A.
Summer time setting	<p>Click and tick the "Automatically adjust clock for daylight saving changes" box to adjust the daylight saving time automatically, and select your own country.</p> <p>Note: If your own country is not in the selection bar, select "Custom Settings". Click "Custom Settings" button that will appear on the right to set the daylight saving time.</p> <p><b>Daylight saving date and time</b> Set the daylight saving time.</p> <p>Custom Setting Screen</p>

## 4-2 Setting the Basic Information and External Input Functions

Display the page needed to perform the AG-150A basic setting by clicking [Initial Settings]-[Basic System] in the setting menu pane. On this page, you perform the basic setting such as the AG-150A unit name, network setting and M-NET setting. Click [Save Settings] to send setting data to the AG-150A. After the setting data are sent to the AG-150A, a message will appear asking whether or not to restart the AG-150A. Click [OK] to restart the AG-150A to put the changes into effect.

Note: If the user logs in as a building manager, the operations may be prohibited.

**Unit Setting**  
Set the AG-150A name and unit ID.

**Network Setting**  
Set the AG-150A IP address and subnet mask.

**Display Format**  
Set the items related to the screen display on the AG-150A or on the Web.

**Refresh**  
Read setting data from AG-150A.

**External Input Setting**  
Set the AG-150A external input setting.

**M-NET Setting**  
Set the AG-150A M-NET address, presence/absence of K-Control units and range of prohibited controllers.

**Save Settings**  
Send setting data to AG-150A.

### 4-2-1 AG-150A Unit Setting

In Unit Setting, set the AG-150A name and unit ID.

Unit Settings	
Name	Mitsubishi Building
Unit ID	000001 (6 figures)
SERIAL No.	10708-000
Software Version	1.01

(1) Enter the AG-150A unit name in the [Name] field. You may enter a maximum of 40 alphanumeric or symbol characters. The name set here is used on the display screen of the software that controls multiple AG-150A units and for the name of the sender in the body of error messages.

Note: The following characters cannot be used in the name: < > & " ' "

(2) Enter the AG-150A unit ID in the [Unit ID] field. You must enter 6 numeric characters. Use this setting when you want to control multiple AG-150A units with unit IDs. The unit ID that is entered here will be used on the display screen of the software that controls multiple AG-150A units and for the sender ID in the body of error messages.

(3) When [Refresh] is clicked, the AG-150A production ID will appear in the [SERIAL No.] field and the AG-150A software version will appear in the [Software Version] field.

## 4-2-2 M-NET Setting

In M-NET Setting, set the AG-150A M-NET address, whether or not a K-Control unit is present and which machines send the prohibited controller command.

M-NET Settings	
M-NET Address	<input type="text" value="0"/>
K-control Units	<input checked="" type="radio"/> Not used <input type="radio"/> Used
	K Converter Address <input type="text"/>
Range of Prohibited Controllers	<input checked="" type="radio"/> SC/RC <input type="radio"/> RC Only

- (1) Enter the AG-150A M-NET address in the [M-NET Address] field. Normally you should enter [0].
- (2) When K-Control air conditioners are connected, click [Used] in the [K-Control Units] field and enter the M-NET address of K transmission converter in the [K Converter Address] field.
- (3) If prohibited controller (prohibiting local operation) has been set, this setting determines the scope of this setting's control, i.e. operation is prohibited for both the remote control and subordinate system controllers, or just for the remote control. Click [SC/RC] when you want prohibited controllers to include both subordinate system controllers and the remote control, or click [RC only] when you only want to prohibit operation on the remote control.

Note: Normally, you should select [SC/RC].

## 4-2-3 Network Setting

In Network Setting, set the AG-150A IP address, subnet mask and gateway address. If connecting to the AG-150A via a permanent LAN, consult with the network administrator before setting these addresses.

Network Settings				
IP Address	<input type="text" value="192"/>	<input type="text" value="168"/>	<input type="text" value="1"/>	<input type="text" value="1"/>
Subnet Mask	<input type="text" value="255"/>	<input type="text" value="255"/>	<input type="text" value="255"/>	<input type="text" value="0"/>
Gateway	<input type="text"/>	<input type="text"/>	<input type="text"/>	<input type="text"/>
MAC Address	080070334242			

### 4-2-3-1 Settings for when the AG-150A is connected to a dedicated LAN

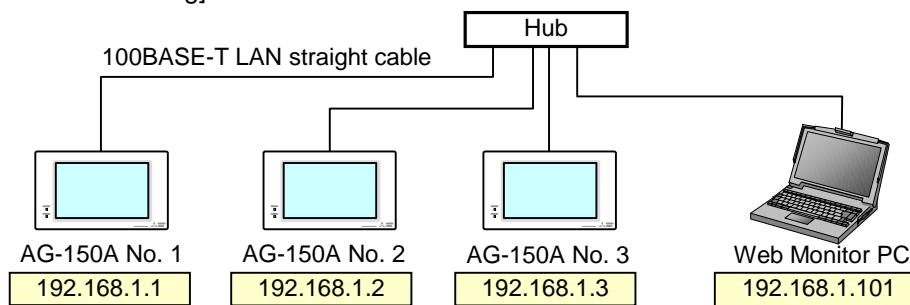
(1) Enter the AG-150A IP address in the [IP Address] field. If the LAN wiring has been newly set up, allocate IP addresses to the AG-150A units in a sequential order starting with [192.168.1.1]. For example the first AG-150A unit will receive an IP address of [192.168.1.1], the second AG-150A unit will receive an IP address of [192.168.1.2] and so on.

The Web Monitor PC that monitors and sets AG-150A will also require network addresses consistent with the rest of the LAN.

Note: When using a AG-150A dedicated LAN, it is recommended to set the IP address as follows.

AG-150A: Between [192.168.1.1] and [192.168.1.40] Web Monitor PC: Between [192.168.1.101] and [192.168.1.150]

[Example of IP address setting]



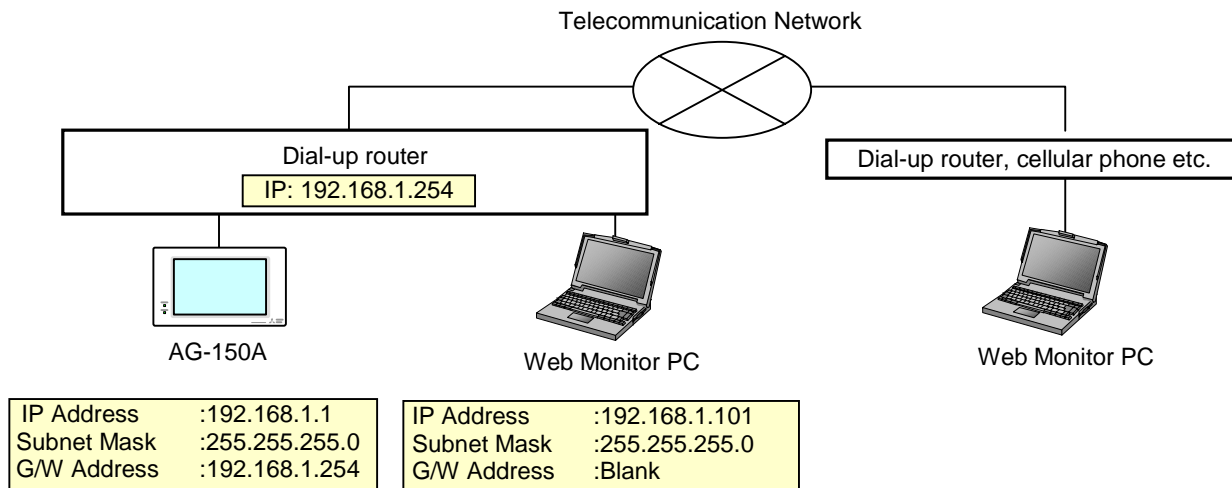
Note: Some hubs have a dedicated port for connection with another hub. Connect the AG-150A and Web Monitor PC to the normal ports.

(2) Enter the AG-150A subnet mask in the [Subnet Mask] field. Normally, you should enter [255.255.255.0].

(3) When monitoring remotely or sending error mail via a dial-up router, enter the router IP address in the [Gateway] field.

Leave the gateway address blank when not connecting via a dial-up router.

[Example of a Remote Monitoring System]

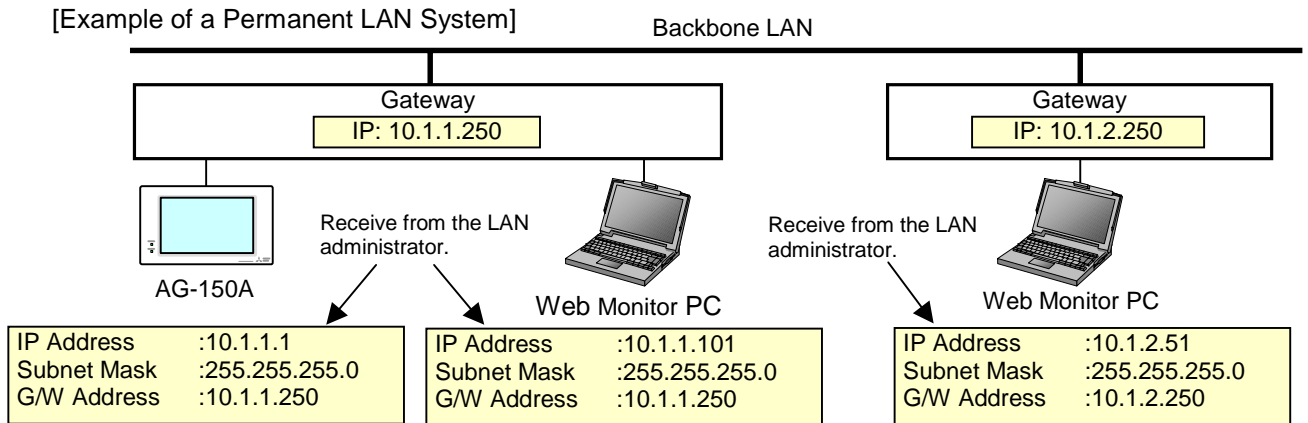


Note: It is recommended to set the dial-up router IP address to [192.168.1.254]. Refer to the dial-up router instruction manual for details of how to set the IP address.

Note: It is necessary to connect a modem (analog type or ISDN type) between the dial-up router and telephone line when using a dial-up router that does not have a built-in modem.

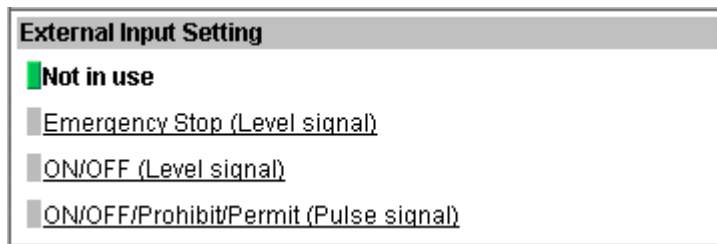
### 4-2-3-2 Settings for when the AG-150A is connected to an existing LAN

When connecting the AG-150A to an existing LAN, consult with the network administrator who is responsible for the LAN before setting the IP address, subnet mask, or gateway address.

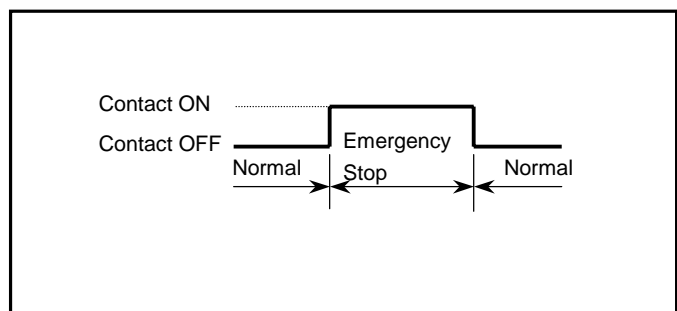
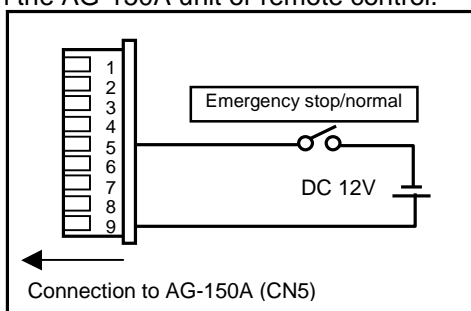


### 4-2-4 External Input Setting

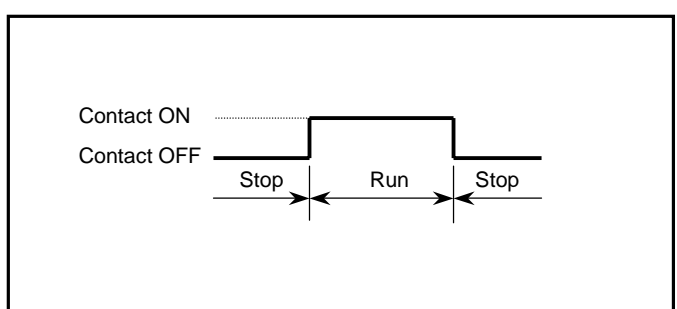
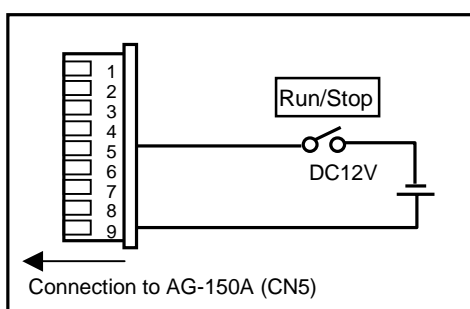
In the External Input Setting menu, set the AG-150A external input function. By using external input functions, it is possible to stop and run multiple air conditioners connected to the AG-150A via the separately sold external I/O adapter for AG-150A (Model: PAC-YG10HA-E) using level signals and pulse signals.



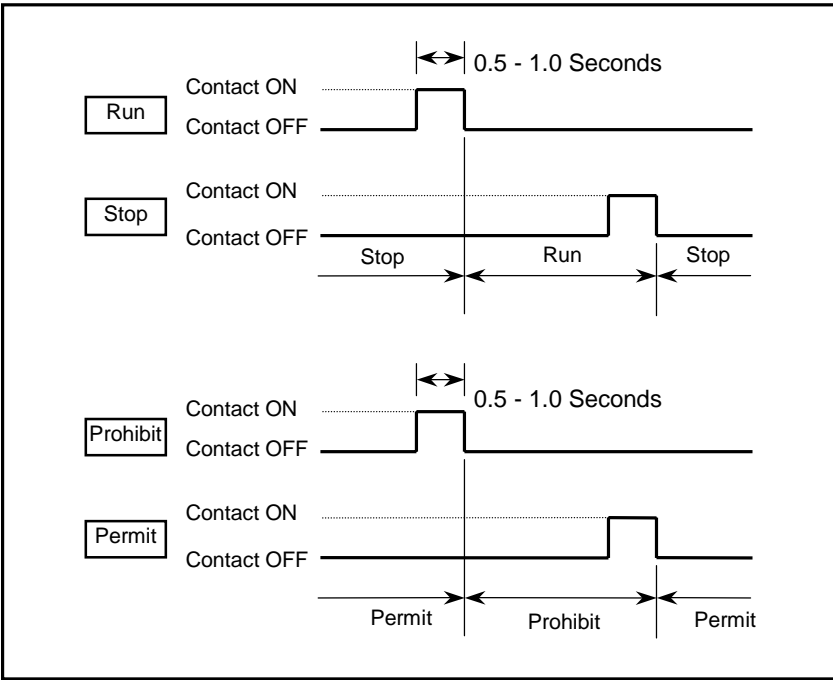
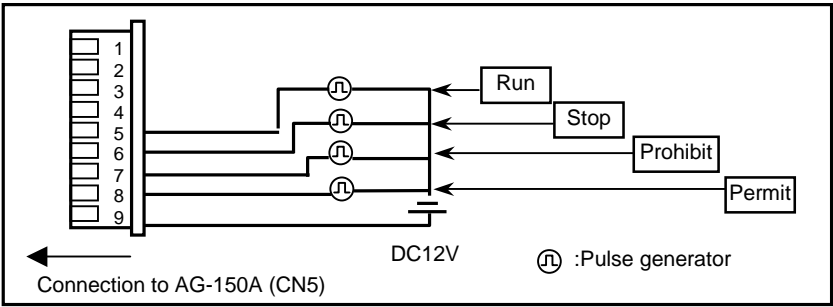
- (1) Select [Not in use] when not using the external input function.
- (2) Selecting [Emergency stop (Level signal)] makes it possible to stop multiple units by using a level signal. While this stop operation is being performed, operations such as running or stopping units are prohibited on the AG-150A unit or remote control.



- (3) Selecting [ON/OFF (Level signal)] makes it possible to run or stop multiple units using a level signal. In this mode, all air conditioner units connected to the AG-150A will be run or stopped and run/stop operations will be prohibited on the AG-150A unit or remote control.



(4) Selecting [ON/OFF/Prohibit/Permit (Pulse signal)] makes it possible to use pulse signals to run multiple units, stop multiple units, prohibit local operation and permit local operation. In this mode, it is possible to freely operate the remote control except during the pulse signal input.



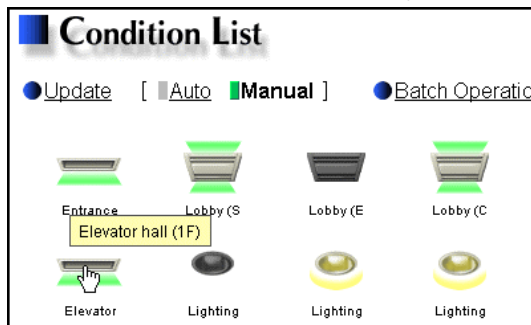
## 4-2-5 Setting the Display Format

Set the items related to the screen display in the [Display Format] field.

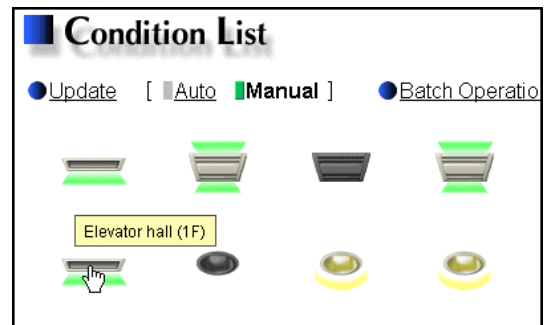
Display Format			
Unit of Temperature	<input checked="" type="checkbox"/> °C	<input type="checkbox"/> °F	
Date Format	<input checked="" type="checkbox"/> 31/12/2008	<input type="checkbox"/> 12/31/2008	<input type="checkbox"/> 2008/12/31
Time Format	<input type="checkbox"/> 06:00 PM	<input checked="" type="checkbox"/> 18:00	
Group Names on Overview Monitor	<input checked="" type="checkbox"/> ON	<input type="checkbox"/> OFF	
Filter Sign Display	<input checked="" type="checkbox"/> ON	<input type="checkbox"/> OFF	

- (1) In the [Unit of Temperature] section, select between [°C] and [°F] as the unit of temperature.
- (2) In the [Date Format] section, select the display order of year/month/day. The date will be displayed in the selected order on the Web screen or on the mail screen.  
Note: Set the format of the date to be displayed on the LCD on the LCD Setting screen.
- (3) In the [Time Format] section, select the display of time format. The time will be displayed in the selected format on the Web screen.  
Note: Set the format of the time to be displayed on the LCD on the LCD Setting screen.
- (4) In the [Group Names on Overview Monitor] section, select [ON] to display the group name under the icon on the [Monitor / Operation (Overview)] screen and select [OFF] not to.

Note: Up to 8 letters are displayed under the icon. To display all letters, move the cursor to the icon.



With the display of group names



Without the display of group names

- (5) In the [Filter Sign Display] section, select whether to display the filter sign. Select [ON] to display the filter sign and [OFF] not to.  
When the filter sign display is set to "OFF," the filter sign on neither the LCD of the AG-150A nor the monitor screen on the Web browser will appear, even when the indoor unit detects a filter sign.  
If the filter is regularly cleaned and the filter sign display is unnecessary, set it to [OFF].



## 4-3 Group Setting

Display the page needed to register the group of air conditioners or general equipment to be connected to the AG-150A and to set the group name by clicking [Initial Settings]-[Groups]. On this page, you perform the basic setting such as the AG-150A unit name, network setting and M-NET setting. Click [Set to AG-150A] to send setting data to the AG-150A.

Note: If the user logs in as a building manager, some of the operations may be prohibited.

Note: If the system is connected to the TG-2000A, make all settings and changes from the TG-2000A so that the data in TG-2000A and AG-150A will match.

Note: A contact on the genera interface device is regarded as one unit. The number of units that can be connected to AG-150A is up to 50.

Note: Air-conditioners and general equipment cannot be in the same group.

Note: Remote controllers or system controllers cannot be connected to general equipment.

**Group No.**  
Group numbers will be displayed here.

**Group name**  
The group names are entered here.

**Refresh**  
Read setting data from AG-150A.

**Air Conditioner or general equipment or hot water supply Registration**  
Register the air conditioner or general equipment or hot water supply to be connected here. Click to bring up the registration screen.

**System Controller Registration**  
Register the system controllers to be connected here. Click to bring up the registration screen.

**Remote Controller Registration**  
Register the remote controllers to be connected here. Click to bring up the registration screen.

**Save Settings**  
Send setting data to AG-150A.

### 4-3-1 Setting the Group Name

(1) In the [Group Name for Web] field on the screen, register the group name to be displayed on the Web screen, using a name consisting of no more than 20 characters.

Note: The following characters cannot be used in the group name: < > & ' '

(2) Next, in the [Group name for LCD of the AG-150A] field, enter the group name to be displayed on the LCD of the AG-150A consisting of no more than 10 numbers, upper case letters, hyphen, or space combined.

### 4-3-2 Registering air conditioner or hot water supply units in the group

(1) To register air-conditioners, clicking the [Air Conditioner or general equipment or hot water supply Registration] field next to each group in the [Groups] screen will bring up the [Select Unit Addresses] screen. Click on the numbers corresponding to the units to be registered. All selected units will be shown with a yellow-green background.

To cancel the selection, click on them again. Deselected items will be shown with a gray background.

Note: A maximum of 16 air conditioner units can be registered in one group.

Note: To change the registered units to air-conditioners in the group in which general equipment is registered, disconnect the general equipment first.

(2) To change the icon, click the right or left arrow.

- (3) To register remote controllers in a group, click on the [Remote Controller Registration] field to display the [Select Unit Addresses] screen, and click on the numbers corresponding to the units to be registered. The ones that are selected will be shown with a yellow-green background. To cancel the selection, click on them again. Deselected items will be shown with a gray background.

Note: A maximum of 2 remote controls can be registered in one group.

Note: MA remote controls do not need to be registered to a group.

- (4) To register system remote controllers in a group, click on the [System Controller Registration] field to display the [Select Unit Addresses] screen, and click on the numbers corresponding to the units to be registered. The ones that are selected will be shown with a yellow-green background. To cancel the selection, click on them again. Deselected items will be shown with a gray background.

Note: The combined number of system controllers and remote controls cannot exceed four.

Note: K-transmission converters do not need to be registered.

### 4-3-3 Registering general equipment in the group

- (1) To register general equipment in a group, click on the [Air Conditioner or general equipment or hot water supply Registration] field to display the [Select Unit Addresses] screen, and select the [General Equipment (via PAC-YG66DCA)].

Click the device No. of the general interface device (PAC-YG66D) that is connected to the general equipment to be registered. The selected No. will be displayed with a red frame (selected state), and select the contact No. to which the general equipment is connected.

To disconnect the general equipment, select the interface device No., and click the contact No. that has been selected. The No. will be displayed in gray (unselected state).

Note: A maximum of 16 general equipment can be registered in one group.

Note: To change the registered units to general equipment in the group in which air-conditioners are registered, disconnect the air-conditioners first.

- (2) To change the icon, click the right or left arrow.

- (3) In the [Allow Operation] section, select whether to enable or disable the ON/OFF operation on the Web browser or on the TG-2000 operation screen. Select [In batch and on individual group] to enable only when the collective operation is performed. Select [On individual group] to enable in each group. Select [No operation (Monitor only)] to disable.

- (4) In the [Monitor] section, select whether to display I/P to or from the general equipment on the monitor screen.

## 4-4 Interlocked Setting

To interlock the operation of LOSSNAY with the run/stop status of the indoor units, click on [Initial Settings]-[Interlocked LOSSNAY] in the menu to bring up the Interlocked LOSSNAY screen, and enter the interlock conditions. Click [Save Settings] to send setting data to the AG-150A.

Note: If the user logs in as a building manager, the operations may be prohibited.

Note: If the system is connected to the TG-2000A, make all settings and changes from the TG-2000A so that the data in TG-2000A and AG-150A will match.

**Interlocked LOSSNAY Registration**  
Register the interlocked ventilation equipment here. Click to bring up the registration screen.

**Refresh**  
Read setting data from AG-150A.

**Interlocked Indoor Units Registration**  
Register the indoor units to which LOSSNAY units are interlocked here. Click to bring up the registration screen.

**Save Settings**  
Send setting data to AG-150A.

- (1) Click in the Interlocked LOSSNAY registration field to display the [Select Unit Addresses] screen, and click on the numbers corresponding to the units to be registered. The ones that are selected will be shown with a yellow-green background. To cancel the selection, click on them again. Deselected items will be shown with a gray background.

- (2) Click on the Interlocked Indoor Unit Registration field to display the [Select Unit Address] for the indoor units, and click on the numbers corresponding to the units to be registered. The ones that are selected will be shown with a yellow-green background. To cancel the selection, click on them again. Deselected items will be shown with a gray background.

Note: A maximum of 16 indoor units can be registered to operate with one ventilator.

## 4-5 Block Setting

By performing block settings, multiples of air conditioner groups can be collectively monitored or operated from the Web or TG-2000A. It also enables energy-save/peak cut controls. Bring up the Block Setting screen by clicking [Initial Settings]-[Blocks] in the menu, and register the groups in the block to utilize these features. Click [Save Settings] to send setting data to the AG-150A.

Note: If the user logs in as a building manager, some of the operations may be prohibited.

Note: If the system is connected to the TG-2000A, make all settings and changes from the TG-2000A so that the data in TG-2000A and AG-150A will match.

### 4-5-1 Registering a block name

In the [Block Name] field on the screen, register the block name to be displayed on the Web screen, using a name consisting of no more than 20 characters

Note: The following characters cannot be used in the group name: < > & " ' "

### 4-5-2 Registering a group in a block

Click on the Group Registration field to display [Select Groups], and click on the numbers corresponding to the groups to be registered. The ones that are selected will be shown with a yellow-green background. (Putting a cursor on the group number will display the group name.) To cancel the selection, click on them again. Deselected items will be shown with a gray background.

# 5 Functions 1

## 5-1 Error mail reports/E-mail communication

Click on [Functions 1] – [E-Mail] in the menu to open the [E-mail] window and make necessary settings to perform remote monitoring via mail, using error mail report or the maintenance tool.

Click [Save Settings] to send setting data to the AG-150A.

Note: The use of the error mail report function requires a separate license registration.

Confirm on the license registration screen (Ch8) that the license registration has been completed.

Note: If the user logs in as a building manager, the operations may be prohibited.

**Mail Server Information**  
Set the mail server/DNS server information here.

**Mail Communication Setting**  
Set the address of the mail recipients here.

**Refresh**  
Read setting data from AG-150A.

**E-Mail settings of AG-150A**  
The E-mail settings of AG-150A are set here.

**Error Mail Settings**  
Set the error mail destination here.

**Save Settings**  
Send setting data to AG-150A.

### 5-1-1 Entering the E-Mail Information for the AG-150A

Enter the E-mail information provided by either the ISP or the LAN administrator.

Note: When sending E-mail via an ISP, a user contract with the ISP is required.

**E-Mail Settings of AG-150A**

E-Mail Address:

User ID:

Password:

Interval of checking incoming mails:  minute(s)

Make necessary settings based on the functions that are to be used, using the table below as a reference.

Table 5-1 Items that Require Settings to Be Made (E-Mail Settings of AG-150A)

Items	Functions	Error Mail Report		Mail Communication	
		No SMTP Authentication	Uses SMTP Authentication	No SMTP Authentication	Uses SMTP Authentication
Mail Address		√	√	√	√
User ID			√	√	√
Password			√	√	√
Interval of checking incoming mails				√	√

## 5-1-2 Setting the Mail Server Information

Enter the mail server information provided by either the ISP or the LAN administrator.

Either the IP address or the host name (server name) can be entered in the mail server field.

Make necessary settings depending on the functions to be used, using the table below as a reference.

Table 5-2 Items that Require Settings to Be Made (Mail Server Information)

Items	Functions	Error Mail Report		Mail Communication	
		No SMTP Authentication	Uses SMTP Authentication	No SMTP Authentication	Uses SMTP Authentication
Outgoing Mail Server (SMTP)		√ IP Address or Host Name	√ Host Name	√ IP Address or Host Name	√ Host Name
SMTP Authentication			√		√
Incoming Mail Server (POP3)				√ IP Address or Host Name	√ IP Address or Host Name
DNS Server (Primary)		(V) <sup>*1</sup>	√	(V) <sup>*1</sup>	√
DNS Server (Secondary)		(V) <sup>*1</sup>	√	(V) <sup>*1</sup>	√

\*1: Not necessary if the IP address is used as the mail server address.

## 5-1-3 Setting the Error Mail Destinations

- Enter the title of the error mail that will be sent from AG-150A in the [Mail Title] field. The title may contain a maximum of 40 characters.

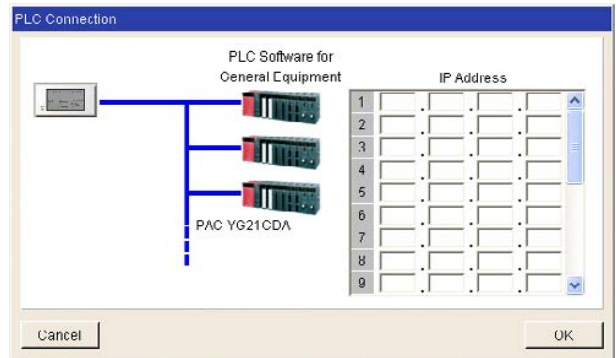
Note: The following characters cannot be used in the mail title:

< > & " '

- Choose the error type out of the following: [Unit Error], [Preliminary Unit Error], [Communication Error], [General Equipment] and [User Setting 1] through [User Setting 6]. Then enter the mail address of the recipient of the error mail.

- To send error messages only upon occurrences of certain errors, click the User Setting button that appear when "User Setting 1" through "User Setting 6" are selected, and register the error codes to be reported in the user settings. A maximum of 20 error codes can be set for each user setting. In addition to specific error codes such as [1302] or [6607], codes such as [10\*\*] or [12\*\*] can also be used. If [10\*\*] is set, for example, error mail will be sent upon an occurrence of any type of errors between [1000] and [1099]. If error codes are set on this screen, confirm that the address of the recipient is registered.

(4) To e-mail an error when an error occurs on general equipment connected to PLC for general equipment, click the PLC Connection button, which appears at the time of selection of "General Equipment", to set the IP address of PLC for general equipment. The row number of the set IP address will be in an error mail as a PLC number. (Eg. When an error occurs on the No.20 PLC for general equipment that is in the second row, "PLC2-20" will be displayed on the error source



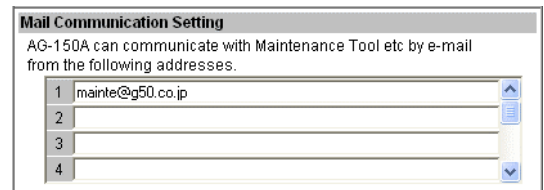
Note: TG-2000A is necessary to monitor the status of general equipment.

### 5-1-4 Setting the Addresses of the Recipient

To monitor and operate the unit with the maintenance tool via mail from a remote location, enter the mail address of the receiver in the [Mail Communication Setting].

A maximum of 10 addresses can be registered.

E-mail communication is possible only with the recipients whose addresses are registered on this screen.



### 5-1-5 Mail format

Error mails are sent in the format shown below.

From:Mitsubishi Building(000001)  
 Date:11/09/2005 16:32:12  
 Error unit:065  
 Error code:1302  
 Status:Occurrence

Item	Format	Remarks
Mail title	Set title	Refer to 5-1-3 (1) for the setting of mail title.
From	AG-150A unit name and unit ID	Refer to 4-2-1 for the setting of AG-150A unit name and unit ID.
Date	dd/MM/yyyy hh:mm:ss	Date of error Note: The date format set in section 4-2-5 will be applied.
Error unit	When an error occurs on air conditioners and general equipment - M-NET address of the error source When an error occurs on general equipment that is connected to PLC for general equipment - PLC number (1 to 20) + connection number of general equipment (1 to 32) When a communication error occurs on PLC for general equipment - PLC number (1 to 20)	PLC number indicates the row number on the setting screen shown in 5-1-3 (4).  Note: When an error occurs on the general equipment that is connected via DIDO controller, M-NET address of the DIDO controller will be sent. (which means an error occurs on one of the general equipment that is connected to the DIDO controller)
Error code	4-digit error	When an error occurs on air conditioners Refer to the service manual for each unit. When an error occurs on general equipment 0091:General equipment error When a communication error occurs on PLC for general equipment 0003:LAN communication error to PLC 0007:PLC stop
Status	"Occurrence" or "Recovery"	Error status

## 5-2 Energy-Save Control and Peak Cut Control

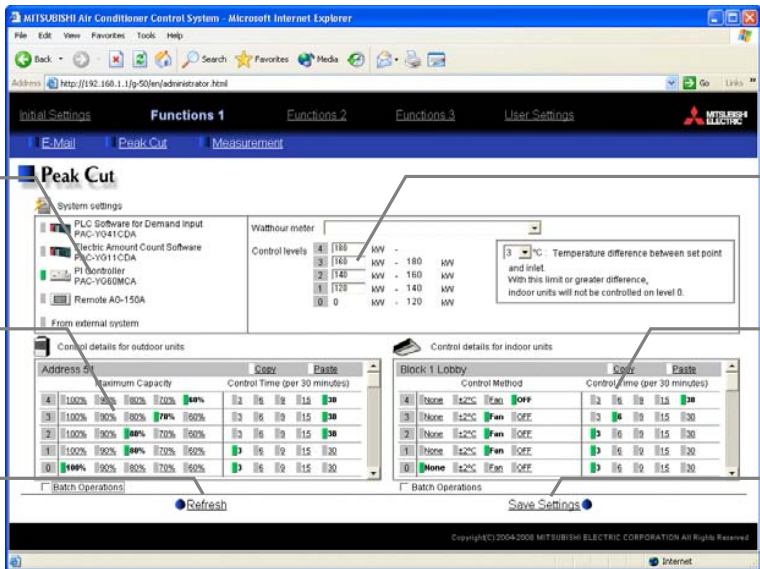
Click on [Functions 1] – [Peak Cut] in the menu to bring up the peak cut control screen, and make necessary peak cut settings to use the energy-save or peak cut control function.

Click [Save Settings] to send setting data to the AG-150A.

Note: Run the test run mode, and check that the equipment related to peak cut is connected properly to perform peak cut control. (It is possible to perform control compulsorily by changing the control level.)

Note: The use of energy-save/peak cut control functions requires a separate license registration. Confirm on the license registration screen (Ch8) that the license registration has been completed.

Note: If the user logs in as a building manager, some of the operations may be prohibited.



**Peak cut method**  
Select the peak cut method.

**Setting details**  
Set the details of the selected method.

**Outdoor unit control method**  
Set the outdoor unit control method.

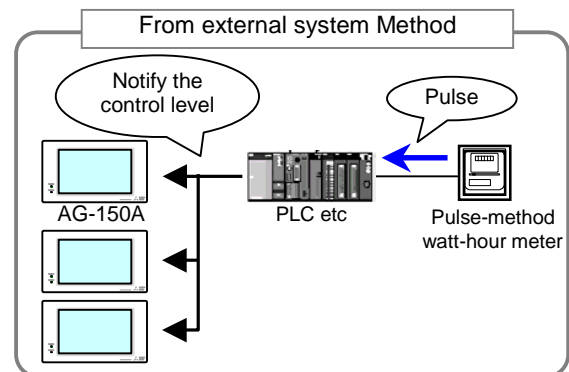
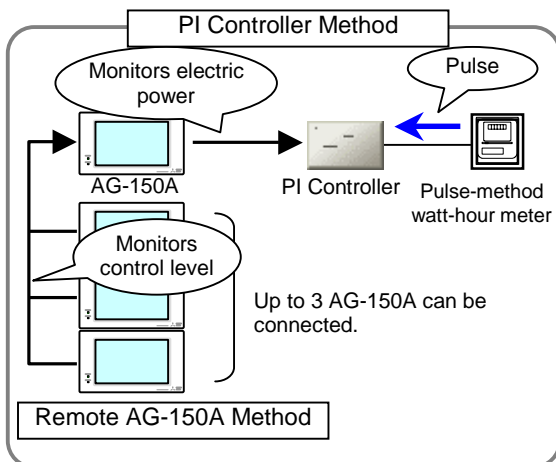
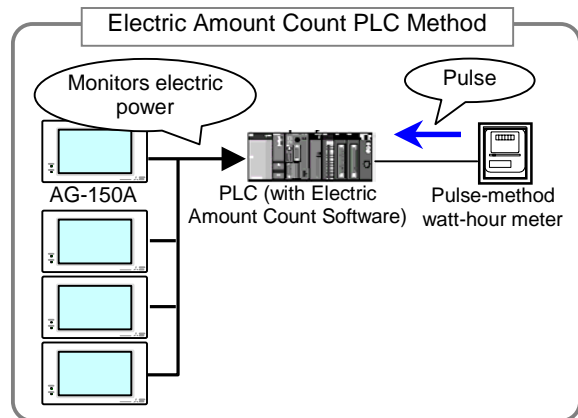
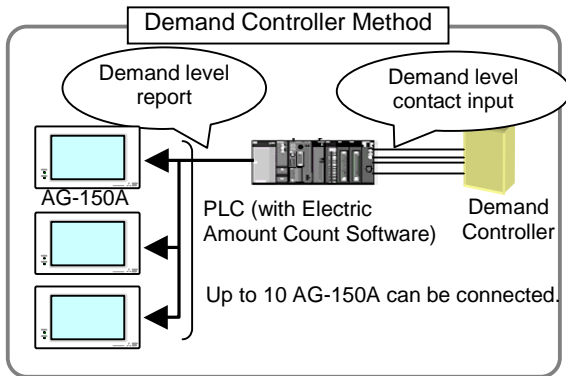
**Indoor unit control method**  
Set the indoor unit control method.

**Refresh**  
Read setting data from AG-150A and PLC.

**Save Settings**  
Send setting data to AG-150A and PLC.

To enable peak cut, register the "Energy Saving (Peak Cut)" license to all AG-150A, and set the peak cut method and the indoor/outdoor units measurement methods. When the license is registered, the control can be performed in 5 degrees (Level 0-4).

To enable energy saving control at the constant rate, register the "Energy Saving" license to all AG-150A, and set the level to "0" in [Indoor/Outdoor unit control method] section.





## 5-2-1 When Demand Controller Method is used

PLC Software for Demand Input  
PAC-YG41CDA  Initialize

Electric Amount Count Software  
PAC-YG11CDA

PI Controller  
PAC-YG60MCA

Remote AG-150A

From external system

IP Address: 192 . 168 . 1 . 171

Controlled AG-150A

1	192	168	1	1
2	192	168	1	2
3	192	168	1	3
4	192	168	1	4
5				
6				

3 °C : Temperature difference between set point and inlet.  
With this limit or greater difference, indoor units will not be controlled on level 0.

- (1) To use Demand Controller Method, before using the PLC Software for demand input or Electric Amount Count Software, click on the PLC initialize button once to initialize the internal memory.

**Note: Do not initialize the memory after the operation has begun, for it will clear all operation data.**

- (2) Enter the IP address for the PLC software for demand input.
- (3) Enter the IP address of the AG-150A to which the demand levels are reported. A maximum of 10 addresses can be registered.
- (4) When the energy-save level is set to 0 (It is always set to level 0 in an energy-save control method), energy-save control will not be performed for the indoor units that show a greater difference between the set temperature and indoor temperature than the value set in the window on the right. Make the setting when some type of energy-saving control is effective at energy-save level 0 and the level of comfort is high on priority list. (Choose between 3 to 9)

## 5-2-2 When Electric Amount Count PLC Method (Amount Count Software) is used

PLC Software for Demand Input  
PAC-YG41CDA

Electric Amount Count Software  
PAC-YG11CDA  Initialize

PI Controller  
PAC-YG60MCA

Remote AG-150A

From external system

IP Address: 192 . 168 . 1 . 151

DI Board: 1 - 0

Pulse Unit: 0 . 1 kWh / pulse

4	180	kW	-	
3	160	kW	-	180 kW
2	140	kW	-	160 kW
1	120	kW	-	140 kW
0	0	kW	-	120 kW

3 °C : Temperature difference between set point and inlet.  
With this limit or greater difference, indoor units will not be controlled on level 0.

- (1) To use Electric Amount Count PLC Method, before using the PLC Software for demand input or Electric Amount Count Software, click on the PLC initialize button once to initialize the internal memory.

**Note: Do not initialize the memory after the operation has begun, for it will clear all operation data.**

- (2) Enter the IP address of the electric amount count software.
- (3) Select the terminal number of the DI board to which the watt-hour meter is connected. If it is connected to terminal 2 on DI board 1, select 1-2.

Note: Select an input board from either 1 or 2, and select an input terminal from 0 to F. Choose the terminal to which the watt-hour meter is connected that is used for peak cut.

- (4) Enter the unit of the pulse that the watt-hour meter outputs.

Note: Set the value per pulse according to the measurement meter to be used. To check that the setting is correctly made, first check both the values measured by the measurement meter and by the measurement controller, and after a certain time, check that the both values have increased at equal increments. (The value measured by the measurement controller can be checked on the browser for the administrator.)

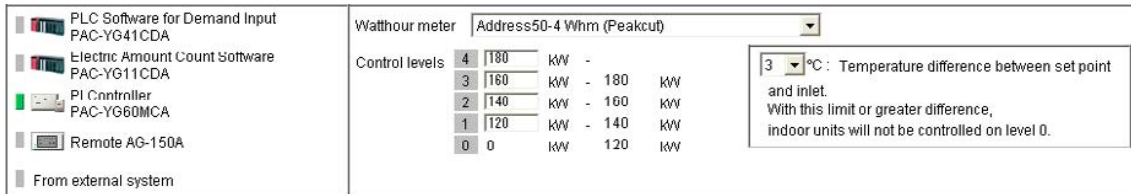
- (5) Determine the range of electricity use for each control level (demand level), taking into consideration such factors as delayed control of the air conditioner. Enter the value that is 10 to 15% below the maximum demand value (average electric energy value in 30 minutes) in the blank next to Level 4. Decrease the value by about 10 % for each level below. (The figure on the right shows the system with the maximum electric energy at 200 kW.)

Note: The best set point depends on the system configuration of the electric equipment and the indoor environment in each building. Choose appropriate set points accordingly.

Note: The amount of electricity that is actually used may exceed the demand value due to such unexpected incidents as controller problems or broken transmission lines. Mitsubishi will not be responsible for such incidents.

- (6) When the energy-save level is set to 0 (It is always set to level 0 in an energy-save control method), energy-save control will not be performed for the indoor units that show a greater difference between the set temperature and indoor temperature than the value set in the window on the right. Make the setting when some type of energy-saving control is effective at energy-save level 0 and the level of comfort is high on priority list. (Choose between 3 to 9)

### 5-2-3 When PI Controller Method is used



- (1) Select the PI controller to which the watt-hour meter used for peak cut control is connected.

Note: Only the watt-hour meters that have been registered on the Measurement screen can be selected.

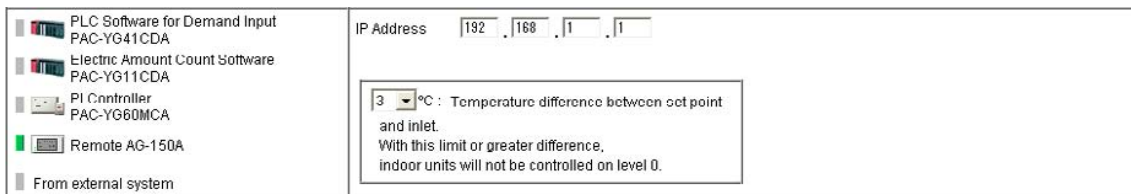
- (2) Determine the range of electricity use for each control level (demand level), taking into consideration such factors as delayed control of the air conditioner. Enter the value that is 10 to 15% below the maximum demand value (average electric energy value in 30 minutes) in the blank next to Level 4. Decrease the value by about 10 % for each level below. (The figure on the right shows the system with the maximum electric energy at 200 kW.)

Note: The best set point depends on the system configuration of the electric equipment and the indoor environment in each building. Choose appropriate set points accordingly.

Note: The amount of electricity that is actually used may exceed the demand value due to such unexpected incidents as controller problems or broken transmission lines. Mitsubishi will not be responsible for such incidents.

- (3) When the energy-save level is set to 0 (It is always set to level 0 in an energy-save control method), energy-save control will not be performed for the indoor units that show a greater difference between the set temperature and indoor temperature than the value set in the window on the right. Make the setting when some type of energy-saving control is effective at energy-save level 0 and the level of comfort is high on priority list. (Choose between 3 to 9)

### 5-2-4 When Remote AG-150A Method is used



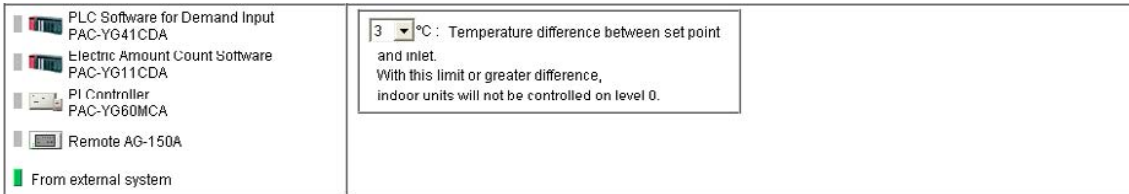
- (1) Enter the IP address of the G-50 to which the PI controller (with the connection to the watt-hour meter used for peak cut control) is connected.

Note: As the control level of G-50 to which the watt-hour meter is connected is monitored every minute, the control level changes after a delay of approx. one minute. Take this delay into consideration, and set the control level without exceeding the range of peak cut electricity.

Note: Only up to three G-50 can be connected to the G-50 to which the watt-hour meter is connected. When five or more AG-150A are used in a system, use electric amount count PLC method mentioned in 5-2-2.

- (2) When the energy-save level is set to 0 (It is always set to level 0 in an energy-save control method), energy-save control will not be performed for the indoor units that show a greater difference between the set temperature and indoor temperature than the value set in the window on the right. Make the setting when some type of energy-saving control is effective at energy-save level 0 and the level of comfort is high on priority list. (Choose between 3 to 9)

## 5-2-5 When From external system Method is used



- (1) When the energy-save level is set to 0 (It is always set to level 0 in an energy-save control method), energy-save control will not be performed for the indoor units that show a greater difference between the set temperature and indoor temperature than the value set in the window on the right. Make the setting when some type of energy-saving control is effective at energy-save level 0 and the level of comfort is high on priority list. (Choose between 3 to 9)

## 5-2-6 Setting the Outdoor Unit Control Method (All methods)

Make the energy-save control setting for the outdoor units for each energy-save level.

Note: M-NET addresses are displayed on outdoor units of City multi type. M-NET addresses and group names are displayed on A-control units (Slim units).

Note: As for A-control outdoor units, only the inverter models can be put on the energy save control. Do not make the energy save settings for the constant speed models.

**Copy**  
Click to copy the settings.

**Paste**  
Click to paste the settings.

**Control Level**

Control Level	Maximum Capacity					Control Time (per 30 minutes)				
4	100%	90%	80%	70%	60%	3	6	9	15	30
3	100%	90%	80%	70%	60%	3	6	9	15	30
2	100%	90%	80%	70%	60%	3	6	9	15	30
1	100%	90%	80%	70%	60%	3	6	9	15	30
0	100%	90%	80%	70%	60%	3	6	9	15	30

**Batch Operations**  
Used to make settings for all outdoor units at once.

Batch Operations

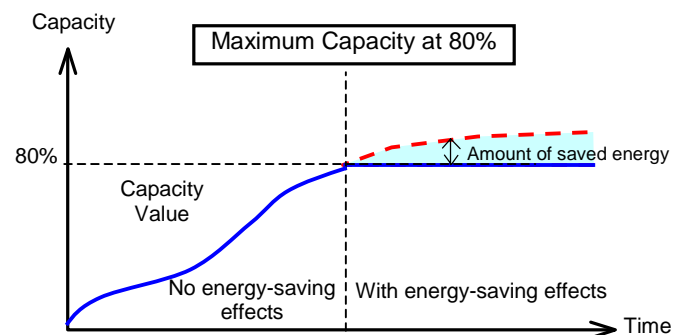
**Maximum Capacity**  
Select the upper limit of outdoor unit operating capacity.

**Control Time**  
Select the control time.

- (1) Set the maximum operating capacity at each level. Normally, outdoor units operate at 100% capacity. The smaller the maximum operating capacity, the more energy will be saved.

Note: Energy-saving effects cannot be expected when the outdoor units are running with low load and are operating below the set capacity level.

Note: Do not use the capacity-save control with heat-accumulating units (ICE-Y) or Multi S units. On these units, always set the capacity to "100%."



- (2) Set the control time at each level. When a capacity-save control over outdoor units is performed, it is recommended that the control time be set to either 30 or 15 minutes, for shorter control time is not likely to bring much benefit. If any time other than "30-minute" is selected, the control is done on rotation so as to avoid the overlapping of control time of the connected outdoor units as much as possible.
- (3) To copy the settings for a certain outdoor unit to another outdoor unit, click [Copy] so the selected items are shown in yellow-green, and click [Paste] on the screen for the target outdoor unit. To make settings for all the outdoor units at once, check [Batch Operations], and enter the settings. Uncheck [Batch Operations] by clicking on the box again to enable the individual setting of the outdoor units.

## 5-2-7 Setting the Indoor Unit Control Method (All methods)

Make the energy-save control settings for the outdoor units for each energy-save level.

The settings are made for each operation block. If the operation blocks have not been set up, refer to section 4-5 on how to set the operation blocks.

**Control Level** Block 1 Lobby (1F)

Control Level	Control Method	Control Time (per 30 minutes)
4	None ±2°C Fan OFF	3 6 9 15 30
3	None ±2°C Fan OFF	3 6 9 15 30
2	None ±2°C Fan OFF	3 6 9 15 30
1	None ±2°C Fan OFF	3 6 9 15 30
0	None ±2°C Fan OFF	3 6 9 15 30

Batch Operations

**Control Method** Select indoor unit control method.

**Control Time** Select the control time.

- (1) Set the control method for each level. Fan control can be performed without letting the users know that the energy-save control is performed because it performs thermo-off control of the indoor units and the mode display on the remote controller LCD will not change.

The modes on the K-control models and the models before free plan will change to “Fan.”

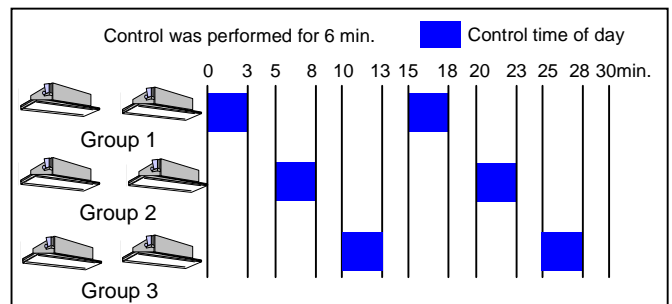
Table 5-4 Indoor Unit Control Method

Control Method	Type of Control
N/A	No control is performed.
±2°C Control	Cooling/dry : +2°C; Heating : -2°C (No control during fan/auto) Note: Shifts to a ±2°C control at control begin time, and goes back to the normal setting at control end time.
Fan Control	Performs “capacity save 0% control (thermo OFF)” on free-plan indoor units and A-control slim indoor units, and performs fan operation control on the K-control units and the units before free-plan units. Note: Switches to thermo OFF or Fan mode at control begin time, and switches back to the original state at control end time.
Stop Control	Stops the indoor units Note: Sends [Stop] at control begin time, and goes back to the original run/stop status at control end time. Note: If set to [30 minutes][Stop], the groups that are being controlled cannot be operated from any controller.

- (2) Set the control time for each level.

The unit of control is 3 minutes. If “6 minutes” is selected, 3 minutes of control is performed twice during each 30 minute period

If any time other than “30-minute” is selected, the control is done on rotation so as to avoid the overlapping of control time of the connected outdoor units as much as possible.



- (3) To copy the settings for a certain operation block to another operation block, click [Copy] so the selected items are shown in yellow-green, and click [Paste] on the screen for the target operation block.

To make settings for all the operation blocks at once, check [Batch Operations], and enter the settings. Uncheck [Batch Operations] by clicking on the box again to enable the individual setting of operation blocks.

- (4) Click [Save Settings] to send setting data to the AG-150A.

## 5-3 Settings for measurement

To measure the temperature or the amount of electricity, click the [Function1]-[Measurement] in the menu, and open the Measurement screen. Settings for controllers used for measurement can be made.

After the settings are made, click [Save Settings] to send setting data to AG-150A.

Note: To use the measurement data for energy saving (peak cut) control, the energy saving (peak cut) license must be registered. Check that the license have been registered properly on the license registration screen (refer to chapter8). It is not necessary to register the license to display the present measurement data or trend graph or to send an error mail.

Note: If the user logs in as a building manager, some of the operations may be prohibited.

**Selection of items to be measured**  
Select the items to be measured between by sensors (such as temperature/humidity) or by meters (such as amount of electricity).

**Address**  
Unit address will be displayed here.

**Selection of separator character**  
Select the separator character for CSV file.

**Selection of decimal point character**  
Select the decimal point character.

**Trend interval**  
Select the data saving interval.

**Refresh**  
Read setting data from AG-150A.

**Setting details**  
Set the details for measurement.

**Scroll bar**  
Switch the address.

**Mail sending settings**  
Set the Type of E-Mail, Mail Subject, and E-Mail Address.

**Save Settings**  
Send setting data to AG-150A.

### 5-3-1 Registering AI controllers for temperature/humidity sensors

System settings for measurement sensors can be made. Up to two temperature/humidity sensors can be connected to one AI controller.

**Temperature/humidity selection**

**Items to be measured**

**Address**

**Setting Details of sensor 1**

**Setting Details of sensor 2**

**Sensor name**

**Measurable range**


**Settings for upper/lower limit alarm**

**Upper limit (occurrence)**


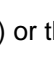
**Upper limit (recovery)**

**Lower limit (occurrence)**

**Scroll bar**

- (1) Use the scroll bar, and select the address to which the AI controller (PAC-YG63MCA) is connected.
- (2) Select the icon of the AI controller (  ) in the column of items to be measured.

Note: To disconnect the AI controller, click the icon of the AI controller that has been selected. The icon will be in unselected state.

- (3) Enter the name of the sensor.
- (4) Select either the temperature icon (  ) or the humidity icon (  ).
- (5) Enter the measurable range of the temperature or of the humidity.

Note: When the Pt sensor is connected, the range must be between -30°C and +60°C. When the sensors other than the Pt sensors are connected, enter the ranges that are described in the operation manuals.

- (6) To receive an e-mail when the temperature or the humidity exceeds a certain value, set the upper/lower limit alarm values (occurrence, recovery).

Note: To avoid repeating occurrence and recovery, it is recommended that the difference between the occurrence value and the recovery value is approx. 1°C.

### 5-3-2 Adjusting the measured temperature/humidity values

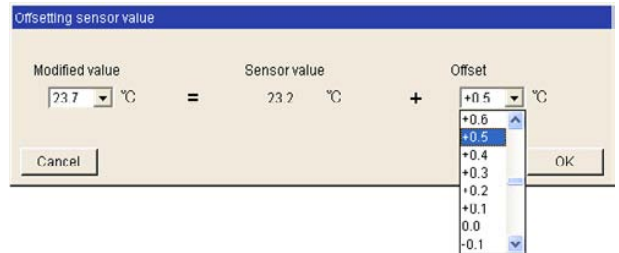
When the adjustment of the measured values is necessary because of the location of the sensor, follow the procedures below.

Note: The present measurement value or the adjusted measurement value are not displayed until the connection settings of the AI controller are completed.

When the AI controller is registered for the first time, click the [Save Settings] button to send setting data, and click [Function 1]-Measurement] to display the screen again.

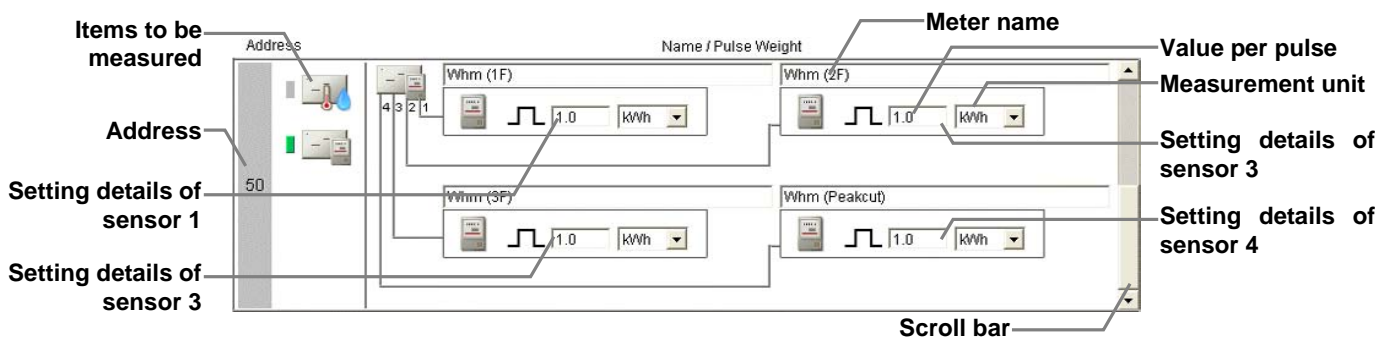
- (1) Click the [Set offset] in the [Setting details] section.
- (2) Select the adjustment value in the [Offset] pull-down or select the value to be desired in the [Modified value] pull-down.


The adjustable range is between -10.0°C and +10.0°C (-18.0°F and +18.0°F), -10.0% and +10.0%.



### 5-3-3 Registering PI controllers for measurement by meters

System settings for measurement meters can be made. Up to four meters can be connected to one PI controller (PAC-YG60MCA).



- (1) Use the scroll bar, and select the address to which the PI controller is connected.
- (2) Select the icon of the PI controller (  ) in the column of items to be measured.

Note: To disconnect the PI controller, click the icon of the PI controller that has been selected. The icon will be in unselected state.

- (3) Enter the name of the meter.
- (4) Enter the value per pulse (measurement value per pulse) of the connected meter, and select the unit.

Note: The measurement unit can be selected between [kWh], [m3], [MJ] and [--(no unit)].

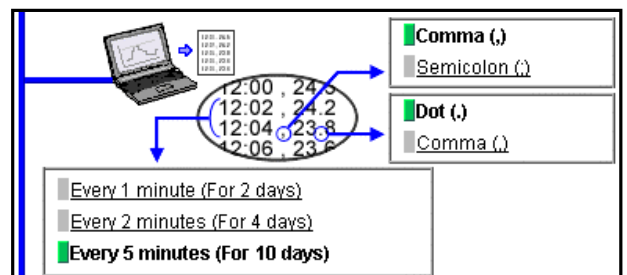
Note: Select the blank in the measurement unit pull-down for the meter not to be used.

Note: Set the value per pulse according to the measurement meter to be used. To check that the setting is correctly made, first check both the values measured by the measurement meter and by the measurement controller, and after a certain time, check that the both values have increased at equal increments. (The value measured by the measurement controller can be checked on the browser for the administrator.)

### 5-3-4 Setting the trend data format

The data format to be used when the trend graph data of the measured value is downloaded or is sent by e-mail can be set.

- (1) Select the separator character between [Comma ( , )] and [Semicolon ( ; )].
- (2) Select the decimal point character between [Period ( . )] and [Comma ( , )].
- (3) Select the trend data interval between [1 minute (for 2 days)], [2 minutes (for 4 days)], and [5 minutes (for 10 days)]. The period of time that the trend graph can be displayed on the trend graph screen varies depending on the data interval.

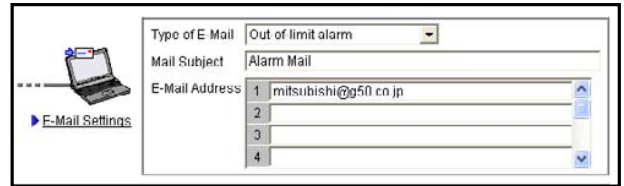


### 5-3-5 Setting the destination to which an error mail is sent

To receive an e-mail when the temperature or the humidity exceeds a certain value, make the error mail sending settings.

- (1) Select [Out-of-limit alarm] in Type of E-Mail pulldown, and enter the Mail Subject and the E-Mail Address.

Note: The following characters cannot be used in the mail title:  
< > & " ' "



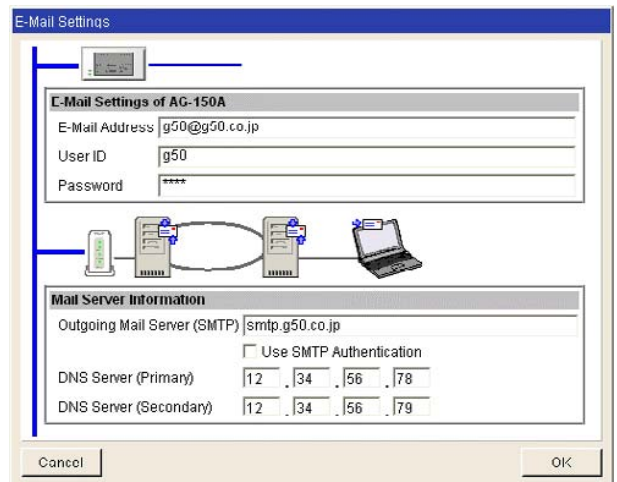
The following format will be applied when the alarm mail is sent.

```
From: Mitsubishi Building(000001)
Date/Time: 23/01/2007 09:38:39
Address: 50-1
Current value: 24.9 deg C
Status: Exceeded lower limit
Trend Data:
09:38 25.2 deg C
09:37 25.4 deg C
09:36 25.6 deg C
09:35 25.8 deg C
09:34 26.1 deg C
09:33 26.4 deg C
09:32 26.7 deg C
09:31 27.0 deg C
09:30 27.5 deg C
09:29 27.7 deg C
```

Item	Format
From	AG-150A name + Unit ID Note: Refer to section 4-2-1 for the settings of the AG-150A name and unit ID.
Date/Time	yyyy/MM/dd hh:mm:ss Note: The date format set in chapter 4-2-5 will be applied.
Address	M-NET address of AI controller + sensor No.
Current value	Present temperature or humid (one place of decimals) Note: The present value may be [**.*] until the value measured by sensor becomes stable.
Status	" Exceeded upper limit ", " Recovered from upper limit ", " Exceeded lower limit ", or " Recovered from lower limit "
Trend Data	Time + Temperature or humidity (for the last 10 minutes)

- (2) Click the [E-Mail Settings] to set the mail server information.

Note: The setting details are the same as those mentioned in the chapter 5-1-1 and 5-1-2. Refer to those chapters.



### 5-3-6 Setting the destination to which temperature/humid trend data mail is sent

To send temperature/humid trend data by mail once a day (when the date changes), make the mail sending settings. The trend data is sent as an attachment CSV file.

- (1) Select the [Trend Data] in the Type of E-Mail pulldown, and enter the Mail Subject and the E-Mail Address.

Note: The following characters cannot be used in the mail title:

< > & " ' "



The following format will be applied to the attachment file attached to the mail that is sent when the date changes.

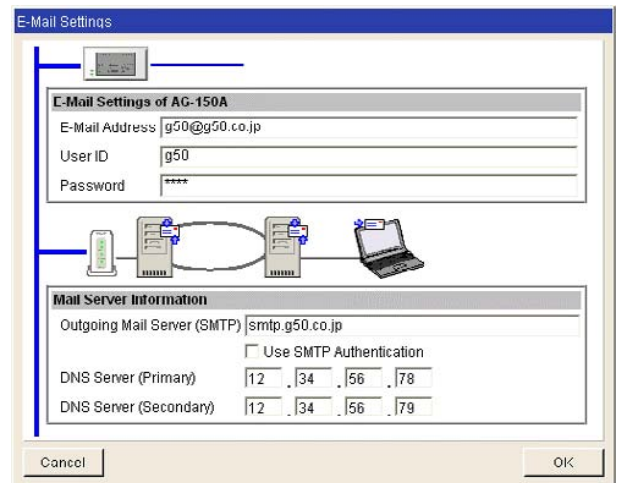
```

121
23/01/2007
Address 50-1
Time, Temperature(deg C)
00:00, 20.3
00:05, 20.1
00:10, 19.8
00:15, 19.3
:
23:50, 18.8
23:55, 18.5
    
```

Item	Format
File Type	121: Temperature data 122: Humidity data
Date	dd/MM/yyyy Note: The date format set in section 4-2-5 will be applied.
Trend target	M-NET address of AI controller + sensor No.
Measured item	"Time, Temperature" or "Time, Humidity"
Data	Time + Measurement data Note: The data interval, separator character, decimal point character that are set in section 5-3-4 will be applied.

- (2) Click the [E-Mail Settings] to set the mail server information.

Note: The setting details are the same as those mentioned in the chapter 5-1-1 and 5-1-2. Refer to those chapters.





# 6 Functions 2

## 6-1 Limiting the Set Temperature Operating Range

Click on [Function2]-[Set Temperature Range Limit] in the menu to open the set temperature range limit screen, and make necessary settings to limit the set temperature operating range of the local remote controller.

Each user operation will be limited by setting the lower limit and the upper limit of the set temperature for cooling operation, which leads to energy saving.

Note: The set temperature range can be limited on the following remote controllers. \*1

- ME remote controller (PAR-F27MEA-E) : Lower limit for cooling mode and upper limit for heating mode
- ME remote controller (PAR-F27MEA-F) : Lower and upper limit for cooling, heating and automatic mode
- Simple ME controller (PAC-SE51CRA-F) : Lower and upper limit for cooling, heating and automatic mode
- MA remote controller (PAR-21MAA) \*2 : Lower and upper limit for cooling, heating and automatic mode
- Simple MA controller (PAC-YT51CRB) \*2 : Lower and upper limit for cooling, heating and automatic mode

\*1: The operation mode that can be set varies depending on the unit model.

\*2: This function cannot be used depending on the indoor unit model.

Note: The set temperature range for all modes can be limited on the browser operation screen (for administrator), AG-150A operation screen, and TG-2000A operation screen regardless of any settings being made. (The setting made on personal browser operation screen is in effect on the personal screen.)

Note: If the user logs in as a building manager, some of the operations may be prohibited.

**Group No., group name**  
Group numbers and group names will be displayed.

**Batch operations**  
Click to set all groups collectively.

**Copy**  
Click to copy the settings.

**Paste**  
Click to paste the settings.

**Set temperature range display**  
The set temperature range is displayed.

**Refresh**  
Read setting data from AG-150A.

**Save settings**  
Send setting data to AG-150A.

Group No.	Group Name	Cooling Mode	Heating Mode	Auto Mode	Batch Operations
1	Entrance	24 - 28 °C	- °C	- °C	Copy Paste
2	Lobby (South)	26 - 28 °C	20 - 23 °C	- °C	Copy Paste
3	Lobby (East)	26 - 28 °C	20 - 23 °C	- °C	Copy Paste
4	Lobby (Center)	26 - 28 °C	20 - 23 °C	- °C	Copy Paste
5	Lobby (West)	26 - 28 °C	20 - 23 °C	- °C	Copy Paste
6	Waiting room	- °C	- °C	19 - 23 °C	Copy Paste
7	Meeting room 1A	24 - 28 °C	- °C	- °C	Copy Paste

(1) Click the set temperature range display to display the setting screen. Set the temperature range for cooling, heating and automatic mode.

Click [OK] to return the previous screen.

Note: When displayed in Fahrenheit, the temperature is displayed in 2°F steps.

Lower limit

Upper limit

Set Temperature Range Limit

Group Name : Lobby (South)

Cooling Mode: 26 - 28 °C

Heating Mode: 20 - 23 °C

Auto Mode: - - °C

Cancel OK

(2) Click [Save Settings] to send setting data to AG-150A.

Note: When copying settings of a group to another group, click [Copy] button. The screen will change to a selection screen (yellow-green). Click [Paste] on a group to be copied.

Note: When setting all groups collectively, click [Batch operation] button, and input settings.

## 6-2 Night Mode Schedule

Click on [Function2]-[Night Mode Schedule] in the menu to open the night mode schedule screen and make necessary settings to switch the outdoor unit operation mode to the night mode (low-noise operation), and set the night mode time interval.

Use this mode when low-noise operation of the outdoor unit is preferable during night.

Note: Make this setting only when all the units operate normally. When connection error occurs at the indoor or the outdoor unit, night mode target units may not be displayed normally.

Note: The noise level to be reduced varies depending on the unit model.

Note: If the user logs in as a building manager, the operations may be prohibited.

**Night mode start time**  
Click to set the start time.

**Target outdoor units**  
Click to select the outdoor unit, which performs night mode control.

**Night mode end time**  
Click to set the end time

**Refresh**  
Read setting data from AG-150A.

**Save settings**  
Send setting data to AG-150A.

(1) Set the time interval in [Night mode start time] and [Night mode end time].

Note: When the starting time and the ending time is the same, night mode operation will always be performed.

(2) Select the outdoor unit, which performs night mode operation from [Target outdoor units].

Note: M-NET address numbers for each outdoor unit are displayed in the target unit field.

(3) Click [Save Settings] to send setting data to the AG-150A.

## 6-3 System-Changeover of Y series

Click on [Function2]-[Auto-changeover] in the menu to open the auto-changeover screen and make necessary settings to switch the operation mode between cooling and heating automatically of the indoor units connected to the same outdoor unit. Set the change over mode and the target units.

Please use this function when performing heating operation in the morning and cooling operation in the afternoon on air conditioners that either of cooling or heating operation is possible (Y series). The operation mode changes automatically without the need of operating all remote controllers.

Note: The operation mode (cooling or heating) is set by the majority decision in consideration of performance value of each unit, or on the basis of the operation mode of the representative group. Therefore, some rooms may be hotter or colder than others.

Note: If the user logs in as a building manager, the operations may be prohibited.

Note: Set the indoor unit operation mode to [Auto] on the Auto-Changeover models (R2 series). (It is not necessary to change the mode on this screen.)

**Target outdoor units**  
The M-NET address of the outdoor unit is displayed here.

**Changeover mode**  
The changeover mode is displayed here.

**Member group**  
The group name that is connected to the outdoor unit is displayed here. When the representative group mode is selected, select the representative group among these member groups.

**Refresh**  
Read setting data from AG-150A.

**Save settings**  
Send setting data to AG-150A.

- (1) Select the change mode of the target outdoor unit. When selecting the representative group mode, select one representative group among the member groups.

Table 6-1 Change Mode List

Change mode	Content
None	Select this when the function is not used.
Averaging	The operation mode (cooling or heating) is set and changed by the majority decision in consideration of the set temperature, the room temperature difference of all groups connected to the target outdoor unit, and capacity value of each indoor unit.
Representative Group	Changes the set temperature of the representative group, and the operation mode of the member group in accordance with the temperature difference.

- (2) Click [Save Settings] to send setting data to the AG-150A.

# 7 Functions 3

## 7-1 External Temperature Interlock

To use external temperature interlock, click [Function 3] on the menu, and then click [External Temperature Interlock]. Air conditioning group can be set for this control.

By setting this control on the air conditioning unit at an entrance, our physical shock (heat shock) caused by the extreme temperature difference can be reduced when entering into a building.

Note: Connect our AI controller (PAC-YG63MCA) to measure outdoor temperature.

Note: This function works when the operation mode is [cooling] or [dry].

**External Temperature Sensor**  
Select a sensor that measures outside temperature.

**Group number, group name**  
Displays group number and group name.

**Set temperature variation range**  
Select a maximum additional temperature to the preset temperature.

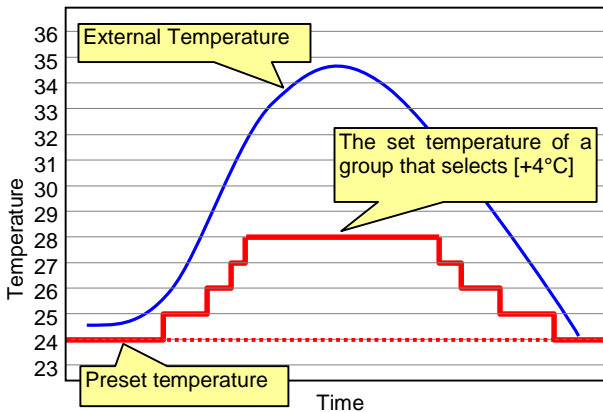
**Refresh**  
Read setting data from AG-150A.

**Save settings**  
Send setting data to AG-150A.

(1) Click external temperature sensor area to choose the sensor. The area displays [controller address + sensor number + sensor name].

(2) Select a maximum additional temperature to the preset temperature for each air conditioning group. For example, when [+4°C] is selected and the preset temperature is 24°C, the maximum set temperature will rise to 28°C along with outdoor temperature rise. When [+2°C] is selected, the maximum set temperature will rise to 26°C.

(3) After the setting, click the Save Settings button to send the setting data to G-150AD. When external temperature interlock is active, the set temperature of air conditioning group is shown below.



External Temperature	Set Temperature
External Temperature > Preset temperature+1.5°C	Preset temperature+1°C
External Temperature > Preset temperature+4.5°C	Preset temperature+2°C
External Temperature > Preset temperature+6.5°C	Preset temperature+3°C
External Temperature > Preset temperature+7.5°C	Preset temperature+4°C

## 7-2 Night setback control

To use Night setback control (abbreviated to setback control below), click [Functions 3] on the menu, and then click [Setback Control]. Air conditioning group can be set for this control.

This control prevents indoor dew by heating automatically when the room temperature goes outside of the specific range during the night.

Note: This control starts heating operation when the control object group stops and the temperature drops below the Min. temperature. Also this control starts cooling operation when the control object group stops and the temperature rises above the Max. temperature.

Note: If the room temperature is measured by the air-conditioner's suction temperature sensor, the temperature may not be correct when the air-conditioner is inactive and the air is not fresh. When the temperature is not measured correctly, switch the sensor to external temperature sensor (PAC-SE40TSA / PAC-SE41TSA) or remote control sensor.

**Setback usability**  
Select setback usability.

**Setback control period**  
Set the setback control period.

**Group number, group name**  
Displays group number and group name.

**Refresh**  
Read setting data from AG-150A.

**Control temperature range**  
Max./Min. temperature for setback control can be set.

**Save settings**  
Send setting data to AG-150A.

Group Name	Minimum Temp	Maximum Temp
18 Tenant 1F-D	12°C	12°C
19 Tenant 1F-E	12°C	12°C
20 Tenant 1F-F	12°C	12°C
21 2F-Elevator	17°C	28°C
22 2F-WaitingRoom	12°C	12°C

(1) Select [Use] and set the setback control period.

Note: When [00:00 - 00:00] is set, setback control is active for 24 hours.

(2) Set the control temperature range (Max. and Min.) for each group. For example, suppose [01:00 - 05:00][12°C - --°C] is selected. In this case, heating operation starts automatically when the room temperature drops below 12°C between 1:00 to 5:00. When the control period is over at 5:00, the set temperature returns to the original and the operation stops.

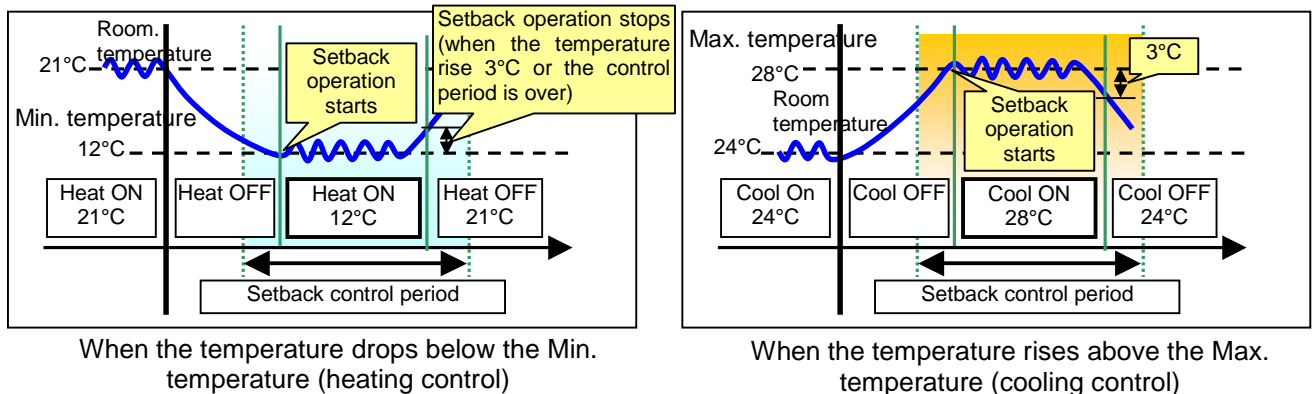
Note: During setback operation after the temperature drops below the Min. temperature, when the control period is over or the room temperature rises to <Min. temperature + 3°C>, the setback control and air conditioning unit stop and the set temperature returns to the original. In the same way, during setback operation after the temperature rises above the Max. temperature, when the control period is over or the room temperature drops to <Max. temperature - 3°C>, the setback control and air conditioning unit stop and the set temperature returns to the original.

Note: When copying settings of a group to another group, click [Copy] button. The screen will change to a selection screen (yellow-green). Click [Paste] on a group to be copied.

Note: The CITY MULTI model supports a temperature setting range of 12-28°C / 53-83°F when in Heat mode. (When S series (PUMY) is used, set the temperature at 17°C-28°C / 63-83°F in heat mode.)

(3) Click [Save Settings] to send setting data to AG-150A.

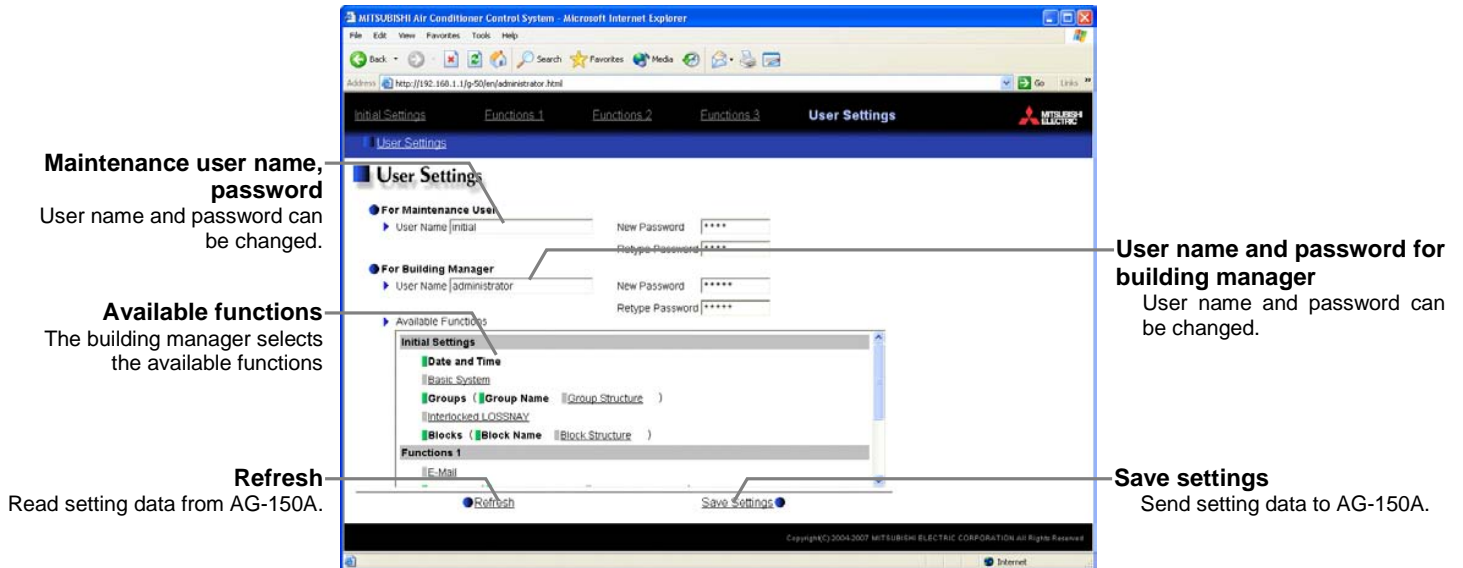
When setback control is active, air conditioning group operates as shown below.



# 8 User Setting

Click on [User settings] in the menu to open the user setting screen and make necessary user settings to limit available functions of a building manager and to change user names and passwords of maintenance user and building manager.

A building manager must change group names when a tenant has been changed. However, for basic setting information, such as connection information of air conditioners, that one doesn't want to be changed, please make this user setting. Moreover, when building manager forgets his user name or password, the user logs in as a maintenance user can be set again.



(1) When changing the user names or passwords of maintenance users, type new information in [User name], [New Password] and [Retype Password] fields to change user names or passwords of maintenance users.

Note: If the user logs in as a building manager, the user name and the password of the maintenance user are not displayed, and cannot be changed.

(2) When changing the user names or passwords of building managers, type new information in [User name], [New password] and [Retype Password] fields to change user names or passwords of a building manager.

(3) To set the available functions of a building manager, click functions that should be available. The ones that are selected will be shown with a yellow-green background.

To cancel the selection, click on them again. Deselected items will be shown with a gray background.

For more information of each function and available functions, refer to the next page.

Note: If the user logs in as a building manager, the present status can be checked, but cannot be changed.

▶ Available Functions

<b>Initial Settings</b>	
■ <b>Date and Time</b>	
■ Basic System	
■ <b>Groups</b> ( ■ <b>Group Name</b> ■ <u>Group Structure</u> )	
■ <u>Interlocked LOSSNAY</u>	
■ <b>Blocks</b> ( ■ <b>Block Name</b> ■ <u>Block Structure</u> )	
<b>Functions 1</b>	
■ <u>E-Mail</u>	
■ <b>Peak Cut</b> ( ■ <b>Control Method</b> ■ <u>System Structure</u> )	
■ <b>Measurement</b>	
<b>Functions 2</b>	
■ <b>Set Temperature Range Limit</b>	
■ <b>Night Mode Schedule</b>	
■ <b>System-changeover</b>	
<b>Functions 3</b>	
■ <b>Outdoor Temperature Sensitive Control</b>	
■ <b>Setback</b>	

Table 7-1 Available Function List

Function		Content	
Initial setting	Date and time		Current date and time setting
	Basic system <sup>*1</sup>		AG-150A network setting, external output setting
	Groups	Group name	Group name setting
		Group structure <sup>*1</sup>	Connection setting of indoor units, remote controllers, system controllers and general equipment in a group
	Interlocked LOSSNAY <sup>*1</sup>		Connection setting of interlocked LOSSNAY
	Blocks	Block name	Block name setting
Block structure <sup>*1</sup>		Registration setting of groups in a block	
Functions1	E-Mail <sup>*1</sup>		Address to report an error mail, Setting of mail communication partner
	Peak cut	Control method	Setting of average electric range, temperature difference between set point an inlet, and control method of indoor units and outdoor units
		System structure <sup>*1</sup>	PLC initialize, PLC settings
	Measurement		Measurement controller connection setting, error mail setting
Functions2	Set temperature range limit		Temperature operating range limitation setting
	Night mode schedule		Night mode time interval setting
	System-changeover		System-changeover of cooling and heating
Functions3	Outdoor temperature control		Setting of external temperature interlock
	Setback control		Setting of setback control

\*1: At factory shipment, the operation of the building manager is prohibited.

(4) Click [Save Settings] to send setting data to the AG-150A.

# 9 Registering a License for Optional Function

Given below is an explanation on how to register a license for optional functions. In the Login screen (see3-1), click [License registration for optional functions] and the License Registration of Optional Functions screen will appear.

Please ask the dealer you purchased the product from for more details on the optional functions and how to purchase a license number.

Note: License of "Web Monitor" or "Basic License Pack" is necessary to use the web browser and update program. Register the license key on the AG-150A LCD screen.

A one-day license key can be registered on the LCD screen that allows the user to use the "Web Monitor" only on the day of the registration. Use this license key to update the program or to use the initial setting web, or in any other situations when a temporary license key is necessary.

**Sub menu**  
Click to return the Login page.

**Optional functions selection box**  
Select the optional function you want to register.

**License number entry field**  
Enter the license number required for registration.

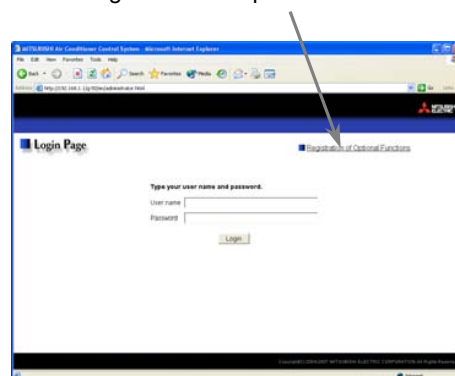
**Current status**  
This indicates whether the optional function is available for use.

**Software version**  
Software version is displayed.

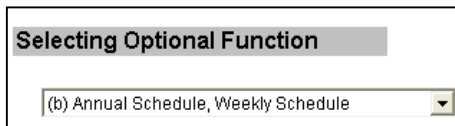
**Register the license button**  
Click to register the license.

License registration of optional functions

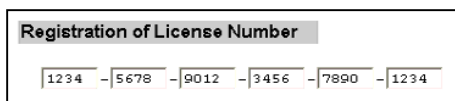
- Open the Registration of Optional Function screen.  
Enter the Web page address in the web browser address field, and click the [Enter] (Return) key on the keyboard to display the Login screen (See 3-1). Click on this screen's menu item [Registration of Optional Functions] to open the Registration of Optional Functions screen.



- Register an optional function.  
First select the optional function you wish to register from the selection box in the Selecting Optional Function selection. When an optional function is selected, the current section will indicate whether it is available for use.



Next enter the license number you purchased for the optional function in the license number entry field and click the [Register the license] button. Once this is done, the optional function will be available for use.



If you were unsuccessful in registering an optional function, check that you did not enter the wrong license number by mistake, that the correct optional function was selected from the selection box, and that the AG-150A main units date and time are set correctly.



